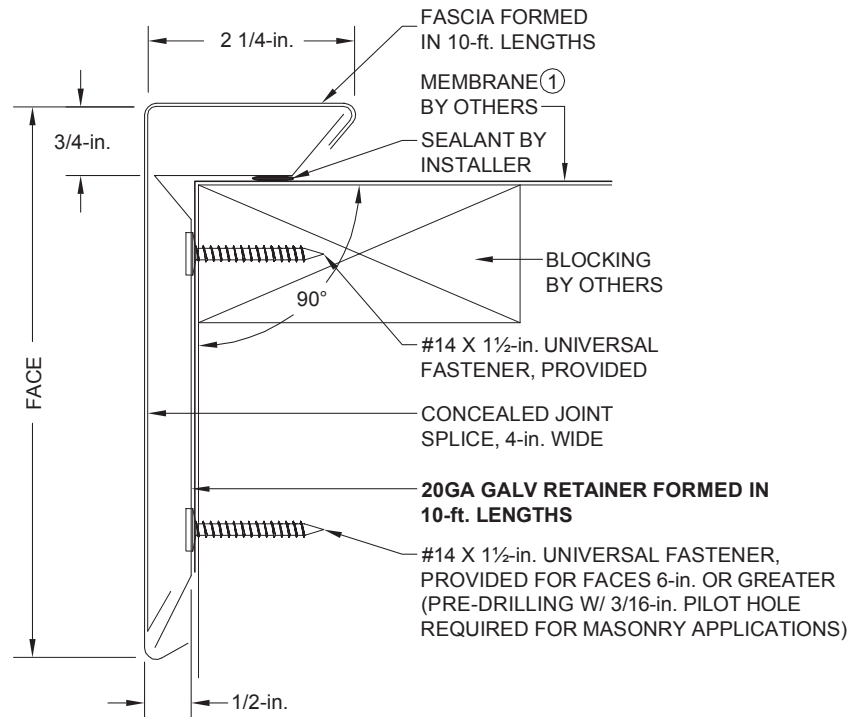


# TremLock EES ST Fascia

## Formed Galvanized Steel Retainer For Single-Ply



### Order Specification Form



① Coordinate installation with membrane manufacturer.

QUANTITY	CAP MATERIAL	THICKNESS	COLOR	CAP FINISH
_____ Total LF _____ Miters (____ Outside, ____ Inside) _____ End Caps (____ Left, ____ Right) _____ End Terms (____ Left, ____ Right) _____ Radius LF (Notched) _____ Vaulted LF (Welded) _____ Sumps _____ SpillOuts _____ Special Corners (Attach Sketches)	<input type="checkbox"/> Aluminum <input type="checkbox"/> Galvanized <input type="checkbox"/> Stainless Steel <input type="checkbox"/> _____ <b>MODEL / FACE</b> <input type="checkbox"/> 375 <input type="checkbox"/> 825 <input type="checkbox"/> 525 <input type="checkbox"/> 1125 <input type="checkbox"/> 675 <input type="checkbox"/> _____	<input type="checkbox"/> 0.040 <input type="checkbox"/> 0.050 <input type="checkbox"/> 0.063 <input type="checkbox"/> 24GA <input type="checkbox"/> 22GA <input type="checkbox"/> _____ <b>ACCESSORY TYPE</b> <input type="checkbox"/> Folded	<input type="checkbox"/> Statuary Bronze (A-01) <input type="checkbox"/> Bone White (A-23) <input type="checkbox"/> Concord Cream (A-02) <input type="checkbox"/> Medium Bronze (A-05) <input type="checkbox"/> Sandstone (A-06) <input type="checkbox"/> Dove Gray (A-09) <input type="checkbox"/> Shale Gray (A-20) <input type="checkbox"/> Sierra Tan (A-26) <input type="checkbox"/> _____	<input type="checkbox"/> Mill Finish <input type="checkbox"/> Prefinished Kynar <input type="checkbox"/> Post Finished Kynar <input type="checkbox"/> Prefinished Anodized <input type="checkbox"/> Post Finished Anodized <input type="checkbox"/> _____

0.063 prefinished Kynar® is only available in Statuary Bronze, Medium Bronze, Sandstone, Dove Gray, Ascot White, Forest Green & Bone White  
 22-ga. covers only available in colors Statuary Bronze, Medium Bronze, Forest Green, Bone White and Shale Gray

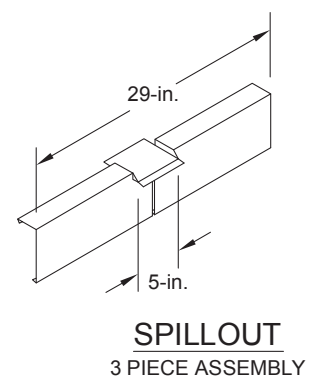
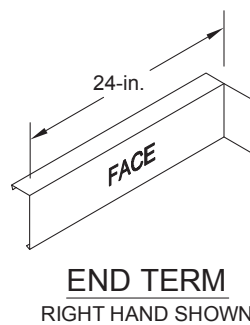
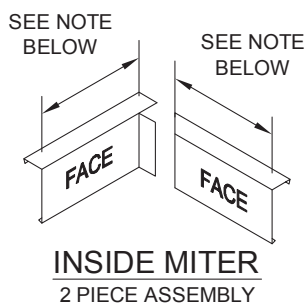
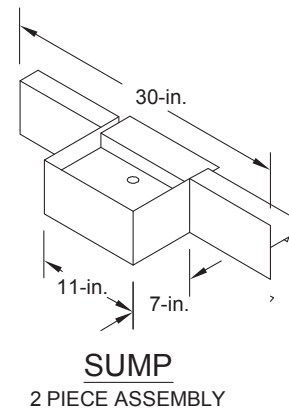
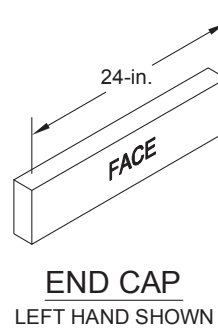
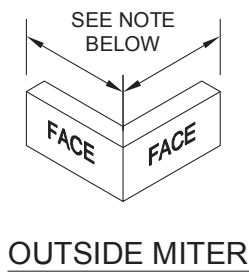
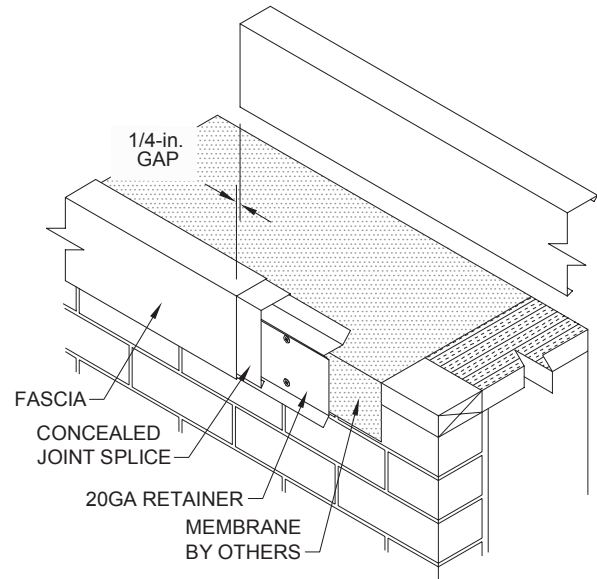
<b>APPROVALS:</b> Contact manufacturer for verification of test report data on your project.		<b>CUSTOMER APPROVAL</b>	
 		<input type="checkbox"/> Approved for Fabrication <input type="checkbox"/> Approved with Changes <input type="checkbox"/> Not Approved	
Job Name: _____		Authorized Customer Signature _____ Title _____ Date _____	
Job #: _____		Customer: _____ By: _____	
Location: _____		Representative: _____ Date: _____	
		Architect: _____ Sheet of _____	

# TremLock EES ST Fascia

## Formed Galvanized Steel Retainer For Single-Ply

### STANDARD COLORS - Other Colors Available

Ascot White	Bone White	Dove Gray	Silversmith	Shale Gray
Rocky Gray	Sandstone	Champagne	Titanium	Charcoal Gray
Concord Cream	Rawhide	Sierra Tan	Coppertone	Mission Red
Bright Red	Redwood	Boysenberry	Chocolate Brown	Antique Patina
Siam Blue	Slate Blue	Turquoise	Regal Blue	Statuary Bronze
Black	Hemlock Green	Patina Green	Forest Green	Harford Green
Medium Bronze				



Standard fascia miter leg lengths: 12-in. nominal  
Standard fascia miter angle is 90°

For special miter requirements, attach sketches or consult manufacturer for assistance.