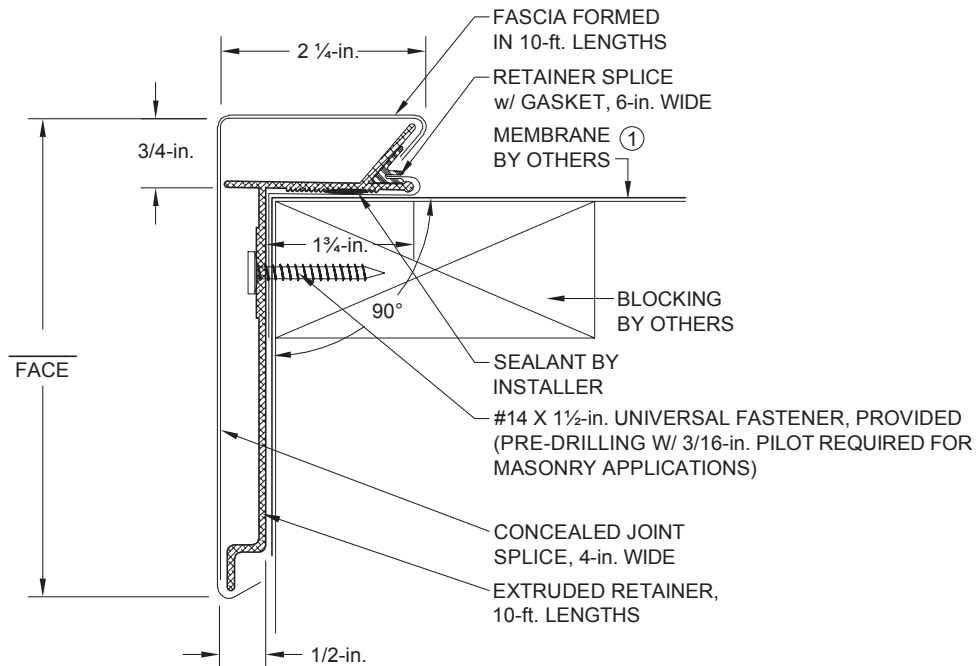


TremLock EES Fascia

Extruded Aluminum Retainer For Single-Ply

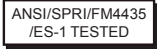

Order Specification Form



① Coordinate installation with membrane manufacturer.

QUANTITY		CAP MATERIAL	THICKNESS	COLORS	CAP FINISH
___	Total LF	<input type="checkbox"/> Aluminum	<input type="checkbox"/> 0.040	<input type="checkbox"/> Statuary Bronze (A-01)	<input type="checkbox"/> Mill Finish
___	Miters (___ Outside, ___ Inside)	<input type="checkbox"/> Galvanized	<input type="checkbox"/> 0.050	<input type="checkbox"/> Concord Cream (A-02)	<input type="checkbox"/> Prefinished Kynar
___	End Caps (___ Left, ___ Right)	<input type="checkbox"/> Stainless Steel	<input type="checkbox"/> 0.063	<input type="checkbox"/> Medium Bronze (A-05)	<input type="checkbox"/> Post Finished Kynar
___	End Terms (___ Left, ___ Right)	<input type="checkbox"/> _____	<input type="checkbox"/> 24GA	<input type="checkbox"/> Sandstone (A-06)	<input type="checkbox"/> Prefinished Anodized
___	Radius LF (Notched)		<input type="checkbox"/> 22GA	<input type="checkbox"/> Dove Gray (A-09)	<input type="checkbox"/> Post Finished Anodized
___	Vaulted LF (Welded)	MODEL / FACE	<input type="checkbox"/> _____	<input type="checkbox"/> Shale Gray (A-20)	<input type="checkbox"/> _____
___	Sumps	<input type="checkbox"/> 375 <input type="checkbox"/> 825		<input type="checkbox"/> Bone White (A-23)	
___	Spill Outs	<input type="checkbox"/> 525 <input type="checkbox"/> 1125	ACCESSORY TYPE	<input type="checkbox"/> Sierra Tan (A-26)	
___	Special Corners (Attach Sketches)	<input type="checkbox"/> 675 <input type="checkbox"/> _____	<input type="checkbox"/> Folded	<input type="checkbox"/> _____	

0.063 prefinished Kynar® is only available in Statuary Bronze, Medium Bronze, Sandstone, Dove Gray, Ascot White, Forest Green & Bone White
22-ga. covers only available in colors Statuary Bronze, Medium Bronze, Forest Green, Bone White and Shale Gray

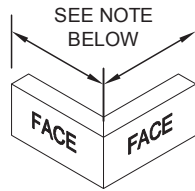
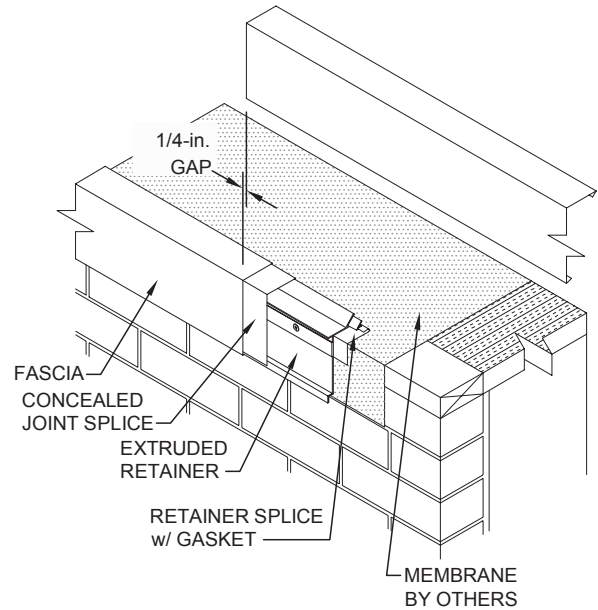
APPROVALS Contact manufacturer for verification of test report data on your project.		CUSTOMER APPROVAL	
 		<input type="checkbox"/> Approved for Fabrication <input type="checkbox"/> Approved with Changes <input type="checkbox"/> Not Approved	
		Authorized Customer Signature _____ Title _____ Date _____	
Job Name:	Customer:	By:	
Job #:	Representative:	Date:	
Location:	Architect:	Sheet of _____	

TremLock EES Fascia

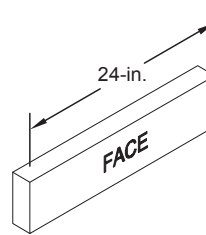
Extruded Aluminum Retainer For Single-Ply

STANDARD COLORS - Other Colors Available

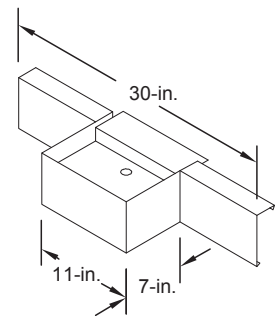
Ascot White	Bone White	Dove Gray	Silversmith	Shale Gray
Rocky Gray	Sandstone	Champagne	Titanium	Charcoal Gray
Concord Cream	Rawhide	Sierra Tan	Coppertone	Mission Red
Bright Red	Redwood	Boysenberry	Chocolate Brown	Antique Patina
Siam Blue	Slate Blue	Turquoise	Regal Blue	Statuary Bronze
Black	Hemlock Green	Patina Green	Forest Green	Hartford Green
Medium Bronze				



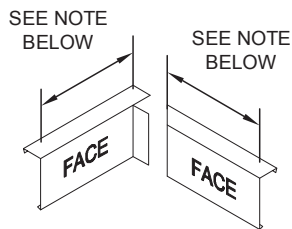
OUTSIDE MITER



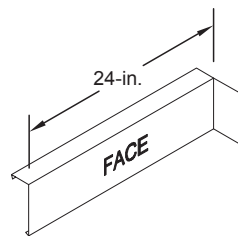
END CAP
LEFT HAND SHOWN



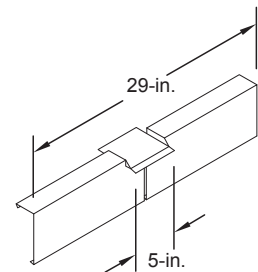
SUMP
2 PIECE ASSEMBLY



INSIDE MITER
2 PIECE ASSEMBLY



END TERM
RIGHT HAND SHOWN



SPILLOUT
3 PIECE ASSEMBLY

Standard fascia miter leg lengths: 12-in. nominal
Standard fascia miter angle is 90°

For special miter requirements, attach sketches or consult manufacturer for assistance.