

FAS-n-FREE® Applicator Cart

Portable 2 Wheeled Equipment for Dispensing FAS-n-FREE Insulation Adhesive

DESCRIPTION:

The FAS-n-FREE Applicator Cart is a two-wheeled dispensing tool designed to allow 1 man to carry and apply FAS-n-FREE Adhesive or other solvent-free bituminous adhesives. This durable and re-usable steel cart has a hand operated lever which allows the cart to be quickly opened or closed during the application process. This lever operates a series of flaps which control the flow of the adhesive through 8 dispensing ports located at the bottom of the adhesive storage bin.

BASIC USES:

The FAS-n-FREE Applicator Cart is designed to apply FAS-n-FREE Insulation Adhesive onto low slope roof decks and other substrates approved by Tremco. This equipment assists the roof installer in applying the recommended pattern of ribbons of insulation adhesive at a measured coverage rate so that 4' wide insulation boards may be installed in one pass.

LIMITATIONS:

- Do not store adhesive in the equipment for extended periods exceeding adhesive cure time.
- Assure the material temperatures of the adhesives are within recommended ranges to assure proper flow of adhesive through this equipment.
- Not recommended for application on Acoustical Metal decks, due to the perforated openings on the metal panel which will allow adhesive to drip through.

DIMENSIONS:

Width: 45.5"
 Metal thickness is 16 gauge. (.062 inches) thick.
 Weight of unit is 70 lbs
 Height from ground to top of handle is 37"
 Length from front to back is 36"
 Number of ports: 8
 Port diameter: 1-3/8"
 Spacing between ports: 6" o.c.
 Capacity: 15 gallons (56.7 L)

Product Advantages	
Features	Benefits
Hand lever operation	Instant on/off control
Steel construction	Durable, reusable
Rubber tires	Easy to pull and turn
Adjustable ports	Control coverage rate
4' width	Able to apply 1 course of insulation in one pass
Hopper bottom	Evenly dispenses adhesive

INSTRUCTIONS FOR USE:

Line the Inside of the Applicator Cart (Optional)

1. Plastic (polyethylene) sheeting may be used to line the interior of the cart bin to save time in clean-up.
2. Custom cut plastic sheeting to cover inside faces of cart bin. Cut holes in plastic sheet to match the port holes in the bottom of the cart bin. Use duct tape to join, seal and secure the pieces of plastic.

Application of Adhesive

1. Assure the roof deck or surface is properly blocked or sealed to prevent drippage of adhesive into building.
2. Open solvent-free adhesive container. Discard skinned product, if present, since this may block the ports.
3. Make sure Applicator Cart Control Lever is in the closed position, then pour the adhesive into the bin. Pour adhesive into the bin so ports are evenly covered.
4. Place cart into position where you would like to begin dispensing adhesive. Cart must be placed so when operator pulls the cart, the adhesive ribbons are not tracked over. Pre-inspect area where adhesive will be installed to assure there are no trip hazards and the roof edges are properly protected.
5. Open Control Lever and begin pulling cart at a steady pace to apply 1/2" to 3/4" diameter ribbons of adhesive onto the substrate. Adjust pace to achieve specified coverage rate.
6. When applying adhesive to a metal roof deck, make sure adhesive is dispensed on the top flanges.
7. Apply the adhesive quickly. Do not allow adhesive to remain in applicator cart more than 15 minutes since the adhesive will begin to skin over.
8. Set the insulation boards into the adhesive immediately and step boards into place. Follow adhesive manufacturers recommendations for application details.

CLEAN UP:

1. When application is complete, pour remaining adhesive from Applicator Cart back into product containers and seal properly for later use.
2. Set the Applicator Cart upside down with the ports open position over two empty pails and a scrap roofing ply sheet. This will allow the remaining traces of adhesive to drain from the cart bin and keep the ports clear so they will continue to seal properly for the next use.
3. After remaining adhesive is cured, remove and discard optional plastic sheeting from cart bin.

APPLICATION RATES:

The FAS-n-FREE Applicator cart assists applying the adhesive at the specified coverage rates at a bead size of 1/2" to 3/4", based on the pace of the operator. Refer to Project Specifications and adhesive product data sheets for further information.

PRECAUTIONS:

Users must read container labels and Material Safety Data Sheets for health and safety precautions prior to use.

AVAILABILITY AND COST:

Contact your local Tremco Roofing Representative for pricing and availability. For the name and number of your Representative, call the Roofing Division at 216/292-5000.

MAINTENANCE:

Your local Tremco Roofing Representative can provide you with effective maintenance procedures which may vary, depending upon specific conditions. Periodic inspections, early repairs and preventive maintenance are all part of a sound roof program.

GUARANTEE/WARRANTY:

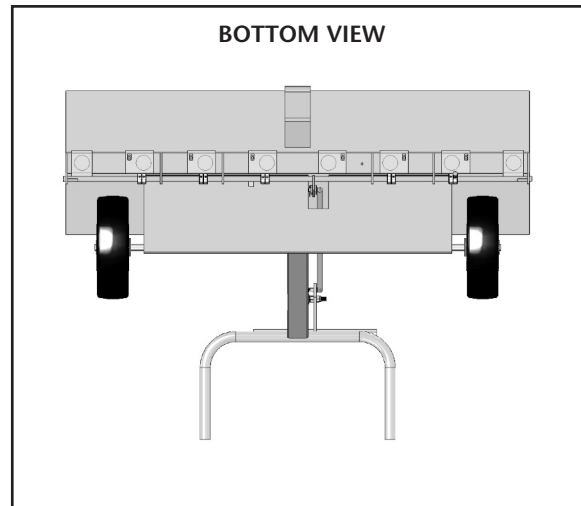
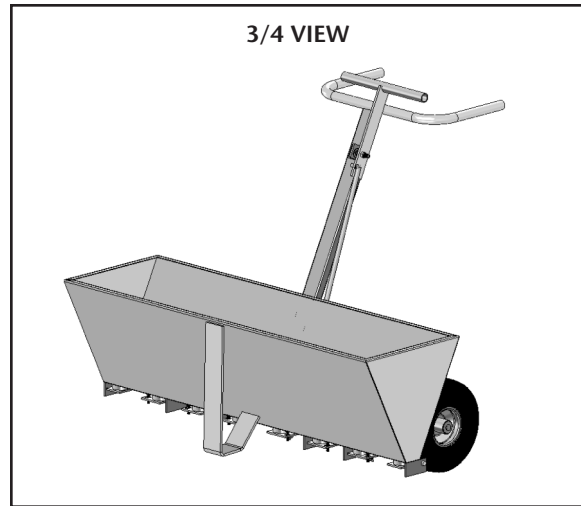
Tremco Inc. warrants FAS-n-FREE Adhesive Applicator Cart to be free of defects and to meet published physical properties when tested according to ASTM and Tremco standards. Under this warranty, and FAS-n-FREE Adhesive product that is proved to be defective when applied in accordance to our written instructions, and in applications recommended by Tremco as suitable for this product will be replaced with like product at no charge. THIS IS BUYERS SOLE AND EXCLUSIVE REMEDY.

All claims concerning product defects must be made in writing within twelve (12) months of shipment. The absence of such claims in writing during this period will constitute a waiver of all claims with respect to such product.

This warranty shall be IN LIEU OF any other warranty, express or implied, including but not limited to, any implied warranty of MERCHANTABILITY OR FITNESS FOR A PARTICULAR PURPOSE.

TECHNICAL SERVICES:

Your local Tremco Representative, working with the Technical Service Staff, can help analyze conditions and needs to develop recommendations for special applications. The services of the Tremco Research Center, which has earned a unique reputation in weatherproofing technology, complement and extend the services of the Tremco Technical Service Staff.



STATEMENT OF POLICY AND RESPONSIBILITY:

Tremco takes responsibility for furnishing quality materials and for providing specifications and recommendations for their proper installation.

As neither Tremco itself nor its Representatives practice architecture or engineering, Tremco offers no opinion on, and expressly disclaims any responsibility for the soundness of any structure on which its products may be applied. If questions arise as to the soundness of a structure or its ability to support a planned installation properly, the Owner should obtain the opinion of competent structural engineers before proceeding. Tremco accepts no liability for any structural failure or for resultant damages, and no Tremco Representative is authorized to vary this disclaimer.



3735 Green Road
Beachwood, OH 44122
216-292-5000

220 Wicksteed Ave
Toronto, ONT M4H 1G7
416-421-3300