

# Rubber Triangle Pipe Blocks

## An Easy to Install, Superior Weathering, Code Compliant Roof Pipe Support For Built Up, Modified Bitumen, Single Ply, and Metal Roof Systems

**Composition;** Rubber Triangle Pipe Blocks and Spacer Blocks are extruded from 100% EPDM Rubber and function without metal clamps, wood blocks, or fasteners. Rubber Triangle Pipe Blocks are asbestos free.

**Basic Uses:** Rubber Triangle Pipe Blocks are used for rooftop support of steel pipe, electrical conduit, and copper tubing to provide support of these lines on new or existing roofs. Typical Mechanical Codes require all rooftop lines be supported a minimum of 3.5" off the roof surface. In addition, mechanical lines require support every 10', along with support on each side of every union, junction, and direction change.

Rubber Triangle Pipe Blocks are compatible with all conventional roof systems such as BUR, MB, Single Ply, and Metal. The Rubber Triangle Pipe Blocks are also compatible over a wide variety of cured roof coatings, such as asphalt emulsion, acrylic, urethane, silicone, and polyurea.

Product Advantages	
Features	Benefits
One piece design	<ul style="list-style-type: none"> <li>• Easy to install</li> <li>• Much less labor than wood blocking with metal straps</li> </ul>
100% EPDM rubber	<ul style="list-style-type: none"> <li>• Long term weatherability</li> <li>• Resists impact damage</li> <li>• Compatible on BUR, Single Ply, and metal roof systems</li> </ul>
Supports pipes 3.5" off roof	<ul style="list-style-type: none"> <li>• Meets Mechanical Code</li> </ul>
Solid structural design	<ul style="list-style-type: none"> <li>• Supports weight without deformation</li> </ul>
Wide platform base	<ul style="list-style-type: none"> <li>• Provides stability and balance</li> </ul>
Water-shedding design	<ul style="list-style-type: none"> <li>• Will not hold water or debris</li> <li>• Will not provide a breeding area for mosquitoes</li> <li>• Will not promote corrosion of piping</li> </ul>

The Rubber Triangle are easily and quickly secured to new or existing pipe or conduit without the use of any tools or special equipment. The self clamping action of the Rubber Triangle Pipe Block allows it to be opened by hand and connected to the pipe without the need for any disassembly of the existing pipe. The wide base of each Rubber Triangle provides stability and disperses the weight of the mechanical line over a large area rather than creating a point load.

The EPDM extrusion is structurally solid to resist deformation of weight from the pipe loads. However, the Rubber Triangle Pipe Block is highly resistant to impact damage and breakage. In addition, the Rubber Triangle Pipe Block will not hold water or debris at the base or at the clamp like other competitive designs. This minimizes the potential for pipe corrosion in the clamping area along with eliminating yet another breeding area for mosquitoes.

Spacer Blocks are available to raise the Rubber Triangle Pipe Block an additional 2" off the roof where required. The Spacer Blocks are specially designed to allow the base of the Rubber Triangle to fit into a recessed area on the top of the Spacer Block. The Rubber Triangle Pipe Block and the Spacer Block interlock to become a single unit, so they will resist becoming separated over time.

### Limitations:

Do not use in contact with solvents, oils, or other contaminants known to be harmful to EPDM rubber.

**Color:** Available in Black and in White

### Sizes:

Pipe or Conduit Size:     - 1/4" to 2.37" ID  
   - 2.38" to 4.57" ID

### General Application Data:

Rooftop pipes and conduit require support every 10 feet on long pipe runs. In addition, these lines must also be supported on each side of every junction, union, and direction change. Minimum height of pipe off the roof surface is 3.5".

**TREMCO**

Roofing & Weatherproofing Peace of Mind™

**Installation:** Grasp the base of the Rubber Triangle Pipe Block with one hand and compress the base to open the top pipe clamp area. While the top is open, place the Rubber Triangle Pipe Block onto and around the pipe or conduit in need of support. Make sure the Rubber Triangle is in the proper location on the roof per code and specification.

If required, place 2" Pipe Spacers at the base of each Rubber Triangle Pipe Block when the pipe or conduit is higher from the roof surface and will not be properly supported by the Rubber Triangle Pipe Block by itself. Fit the Rubber Triangle Pipe Block into the recessed area on the top of the Pipe Spacer to assure the pieces become a single unit and will be able to resist separation over time.

**Precautions:** Users must read container labels and Material Safety Data Sheets for health and safety precautions prior to use.

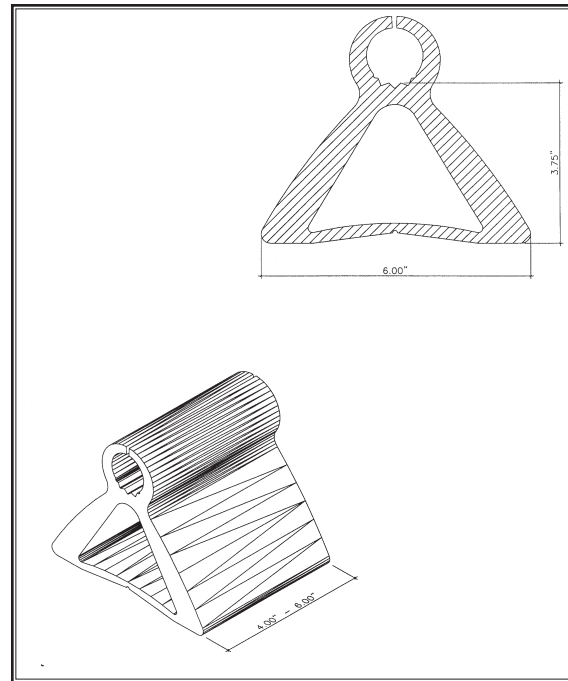
**Availability and Cost:** Contact your local Tremco Roofing Representative for pricing and availability. For the name of your Representative, call the Roofing Division at 216/292-5000.

**Maintenance:** Your local Tremco Roofing Representative can provide you with effective maintenance procedures which may vary, depending upon specific conditions. Periodic inspections, early repairs and preventive maintenance are all part of a sound roof program.

**Guarantee/Warranty:** Tremco Inc. warrants Rubber Triangle Pipe Blocks to be free of defects and to meet published physical properties when tested according to ASTM and Tremco standards. Under this warranty, any Rubber Triangle Pipe Blocks product that is proved to be defective when applied in accordance to our written instructions, and in applications recommended by Tremco as suitable for this product will be replaced with like product at no charge. THIS IS BUYER'S SOLE AND EXCLUSIVE REMEDY. All claims concerning product defects must be made in writing within twelve (12) months of shipment. The absence of such claims in writing during this period will constitute a waiver of all claims with respect to such product.

This warranty shall be IN LIEU OF any other warranty, express or implied, including but not limited to, any implied warranty of MERCHANTABILITY OR FITNESS FOR A PARTICULAR PURPOSE.

**Technical Services:** Your local Tremco Representative, working with the Technical Service Staff, can help analyze conditions and needs to develop recommendations for special applications. The services of the Tremco Research Center, which has earned a unique reputation in weatherproofing technology, complement and extend the services of the Tremco Technical Service staff.



**Statement of Policy and Responsibility:** Tremco takes responsibility for furnishing quality materials and for providing specifications and recommendations for their proper installation.

As neither Tremco itself nor its Representatives practice architecture or engineering, Tremco offers no opinion on, and expressly disclaims any responsibility for the soundness of any structure on which its products may be applied. If questions arise as to the soundness of a structure or its ability to support a planned installation properly, the Owner should obtain the opinion of competent structural engineers before proceeding. Tremco accepts no liability for any structural failure or for resultant damages, and no Tremco Representative is authorized to vary this disclaimer.

**TREMCO**

3735 Green Road  
Beachwood, OH 44122  
216-292-5000

An **RPM** Company

220 Wicksteed Ave  
Toronto, ONT M4H 1G7  
416-421-3300