

## Product Description:

TremLock Extruded Edge System (EES) is a two part assembly with an extruded retainer base and a decorative snap-on fascia. The fascia will be formed aluminum or coated galvanized steel with concealed splice plates. Extruded base will be .100" extruded aluminum with pre-punched .187" x .375" slotted holes for fasteners at 12" (304.8mm) on center in 10' - 0" (3048mm) standard lengths.

## Basic Uses:

TremLock EES is a low profile edge system for BUR, MB and Single Ply Systems. TremLock EES is designed to accept differential movement at roof edges. It also provides an easily installed extruded retainer base plate that is attached against the building like a termination bar. Since the fascia can be installed after roofing is completed, the extruded retainer may be shipped immediately to dry in the roof.

## Packaging:

Available in 10' (3.05 m) stock lengths.

## Available in sizes:

- 3.75" (95 mm)
- 5.75" (147 mm)
- 6.75" (171 mm)
- 8.25" (210 mm)

## Available in Gauge Thickness:

- .040" (1.00 mm)
- .050" (1.27 mm)
- .063" (1.60 mm)
- 24 gauge (.64 mm)

Pre-Fabricated inside and outside corners, end caps, sumps, spillouts and additional components available in single units.

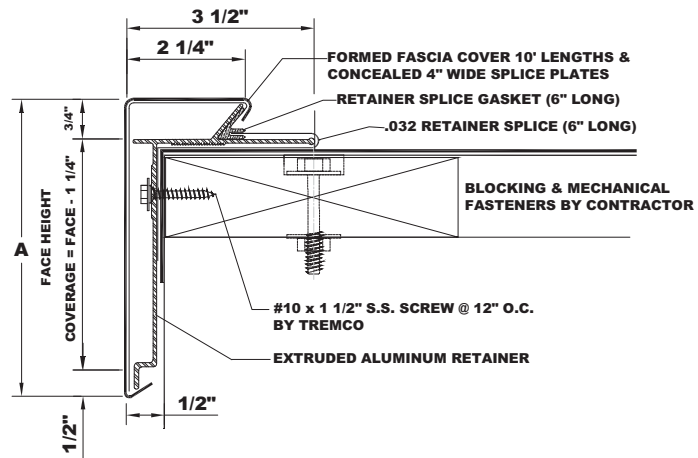
## Finish/Color:

Natural Mill Finish also available with Kynar 500® / Hylar 5000 High Performance, two coat system consisting of a fluorocarbon base top coat over a quality matched primer, with the same primer on the back side for additional protection. (Refer to color chart for availability and colors.)

## Installation Procedures:

**Note:** This is a general outline only. Please refer to our full installation guidelines for additional details.

The roof edge must be level and wood nailers must be straight. The edge of the membrane should envelope or terminate against face of existing nailer. Before the extruded retainer is installed, apply a continuous bead of specified urethane sealant or TF Tape to the bottom side



## Product Advantages

Extruded Retainer base plate

Standard extruded base for all sizes

Factory fabricated corners and accessories are available

- Clamps roofing against the building like a termination bar preventing leaks and blow-off.

- Extruded retainer base may be shipped immediately to dry in the roof.

- Maintains professional appearance, strength at corners, the most vulnerable part of roof.

of the retainer. Install a retainer splice with rubber gasket onto the extruded retainer and leave at least 1/4" gap at each joint between retainer sections. Secure the retainer using corrosion resistant stainless steel screw fasteners. Locate the fasteners in the pre-punched holes as required. Unless otherwise specified, fasteners should be located every 12" (304.8 mm). Install screws into each of the pre-punched holes. Install concealed splice plates between each fascia section. Hook the joint splice from the top and allow it to hang down the face of the retainer. Do not hook on drip edge. Install fascia by hooking the back flange over the top of the retainer. Snap the fascia on by pushing down firmly on the leading edge until bottom snaps over the drip edge of the retainer. Leave a 1/8" gap at each joint (1/4" in cold weather) for thermal movement. Review installation guidelines before starting.

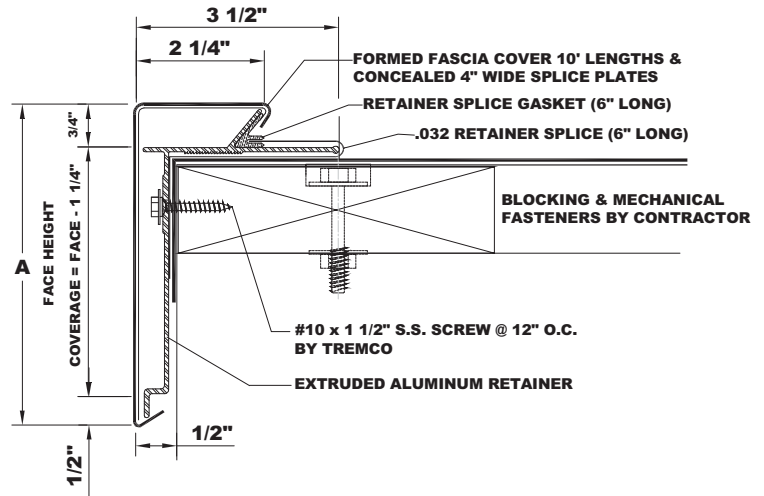
# TremLock™ EES Fascia

## Availability and Cost:

Contact your local Tremco Representative for pricing and availability. For the name and number of your Representative, call the Roofing Division at 216/292-5000

## Maintenance:

Your local Tremco Roofing Representative can provide you with effective maintenance procedures which may vary, depending upon specific conditions. Periodic inspections, early repairs and preventive maintenance are all part of a sound roof program.



**Note: FASCIA CAN BE USED WITH BUR/MB/SINGLE PLY SYSTEMS**

## Guarantee/Warranty:

Tremco Inc. warrants TremLock™ Fascia to be free of defects and to meet published physical properties when tested according to ASTM and Tremco standards. Under this warranty, any TremLock™ Fascia product that is proved to be defective when applied in accordance to our written instructions, and in applications recommended by Tremco as suitable for this product will be replaced with like product at no charge. THIS IS BUYERS SOLE AND EXCLUSIVE REMEDY. All claims concerning product defects must be made in writing within twelve (12) months of shipment. The absence of such claims in writing during this period will constitute a waiver of all claims with respect to such product. This warranty shall be IN LIEU OF any other warranty, express or implied, including but not limited to, any implied warranty of MERCHANTABILITY OR FITNESS FOR A PARTICULAR PURPOSE.



An RPM Company

3735 Green Road, Beachwood, Ohio 44122  
1.800.562.2728 • www.tremcoroofing.com