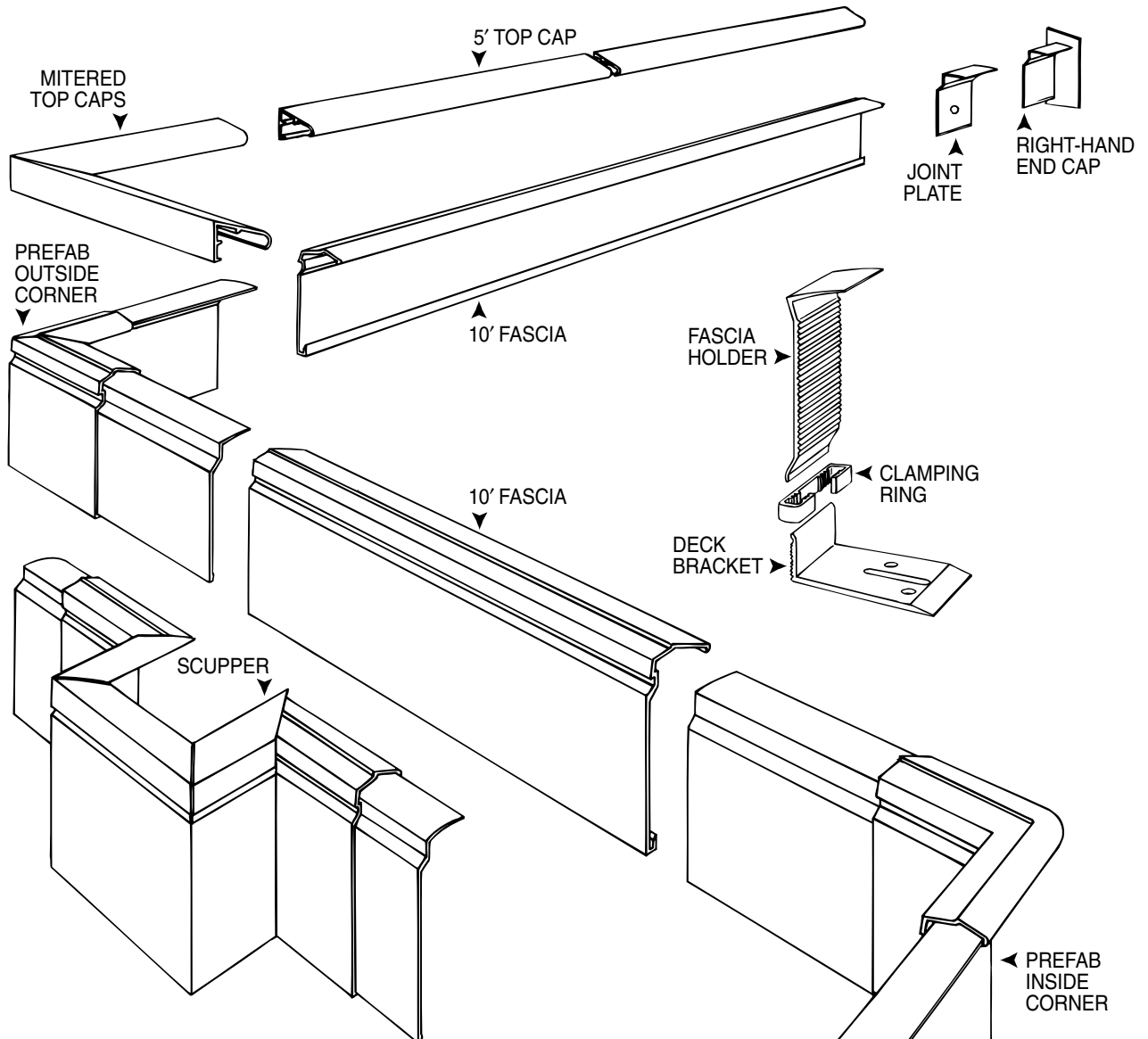


# TREMCO

## Tremline® Fascia System Installation Procedures

### Factory Mutual System

Approved



The Tremline® System is an extruded aluminum fascia system with an elastomeric flashing sheet. The system is self-locking, and components are free to move independently without exerting strain on each other.

Tremline® is compatible with Tremco® Roofing Systems.

Before starting installation, examine perimeter blocking to confirm that it is secure, straight, and free from warping. Outside blocking edge must be flush with exterior building wall or metal siding to provide a smooth and even fascia appearance and to prevent gaps which may allow wind infiltration.

## Check list of recommended tools:

- Pair of sawhorses
- 10' measuring tape
- Combination square
- Claw hammer
- Pry bar
- Rubber mallet
- Flat metal file
- Drill and bit
- Pop-rivet tool
- Mason's line
- Scissors
- Hacksaw or metal cutting circular saw

Read instructions carefully and then follow the steps.

Work from one box of fascia at a time.

Take care to prevent fascia surfaces from being scratched.

## Cant Strips and Wood Blocking

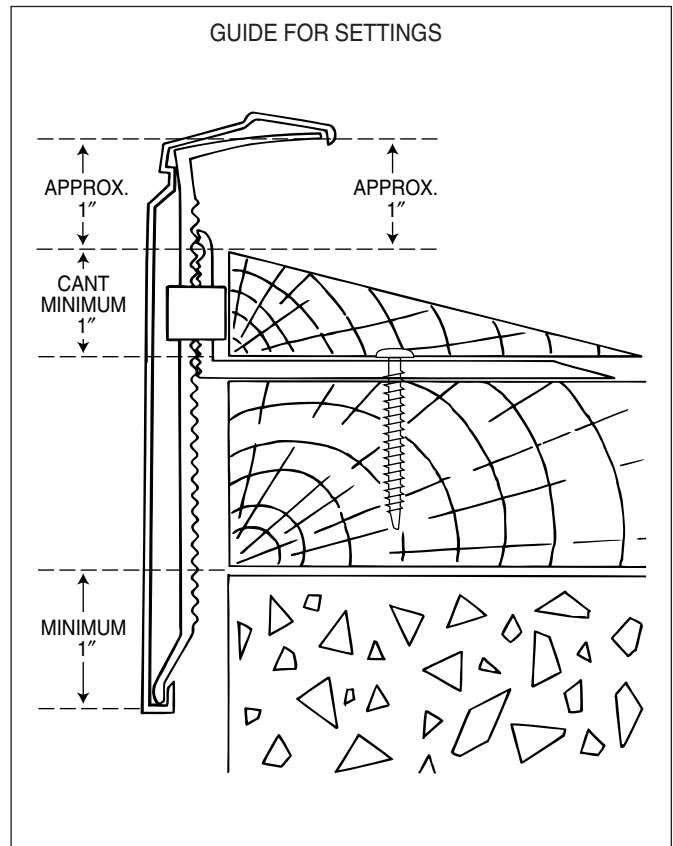
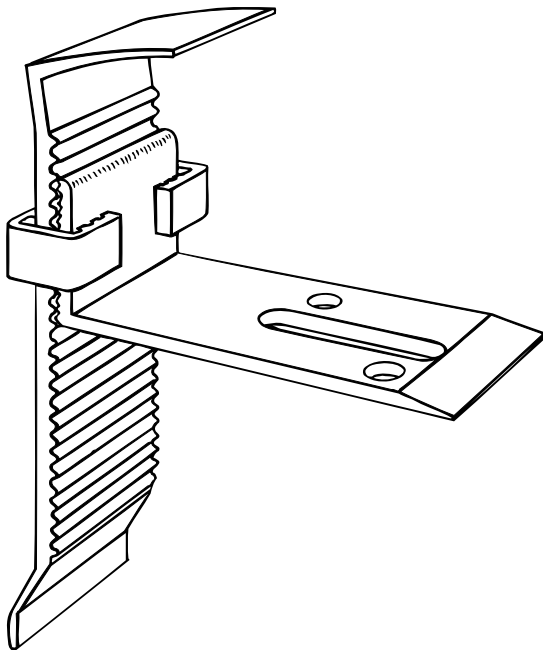
All wood blocking and cant strips shall be Hem-Fir, Southern Yellow Pine or approved equal; #2 grade; free from warping and visible decay. Factory Mutual requires 2" x 6" continuous wood blocking.

Wood blocking shall be pressure treated with chromated copper arsenate (CCA) to meet AWPB LP22 and marked, "retention 0.40 PCF."

Wood cant must be a minimum 1" thick and be wedge shaped. Wood cant must fully cover and extend beyond the horizontal deck bracket flange over the wood blocking.

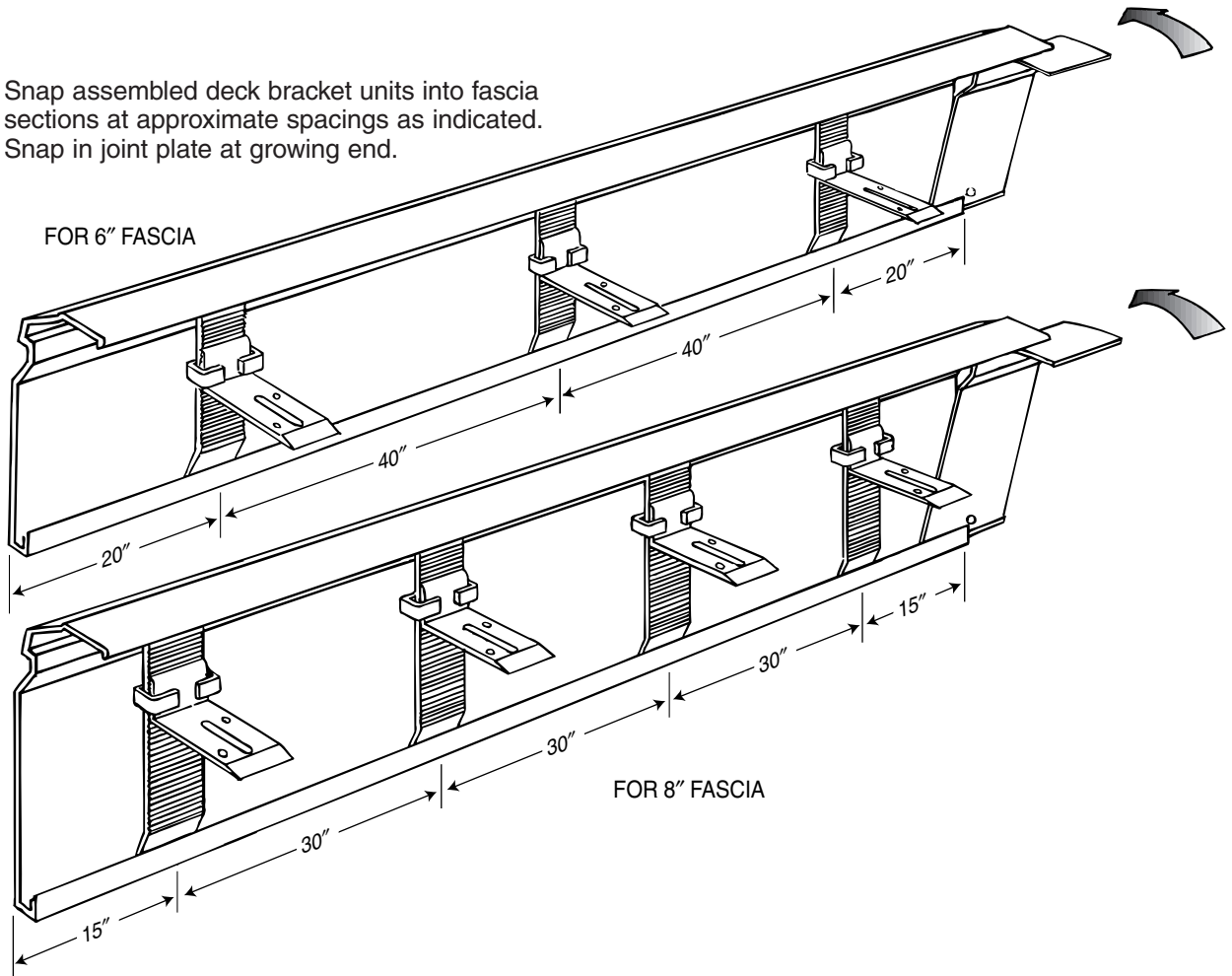
# 1

Assemble the deck bracket units as illustrated.



# 2

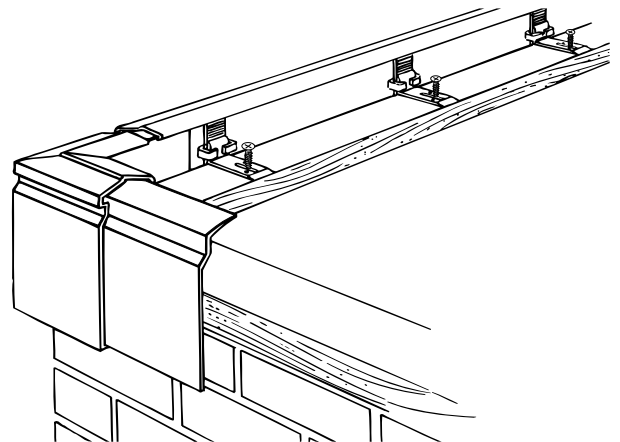
Snap assembled deck bracket units into fascia sections at approximate spacings as indicated. Snap in joint plate at growing end.



# 3

Snap an assembled fascia section onto prefab corner. Snap in extra deck bracket unit with 2" of prefab corner. Lightly secure assembly onto matching roof edge corner with screws through slots of each deck bracket. Do not force or twist fascia. If blocking is warped, shim under deck brackets.

Install corner assembly on next corner.

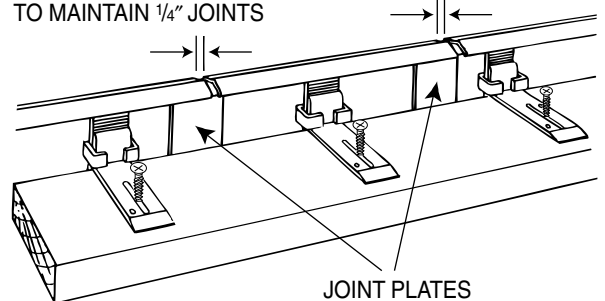


# 4

Assemble and install fascia sections between corners. Maintain at least 1/4" clearance at all joints.

Loosely secure deck brackets with one screw each.

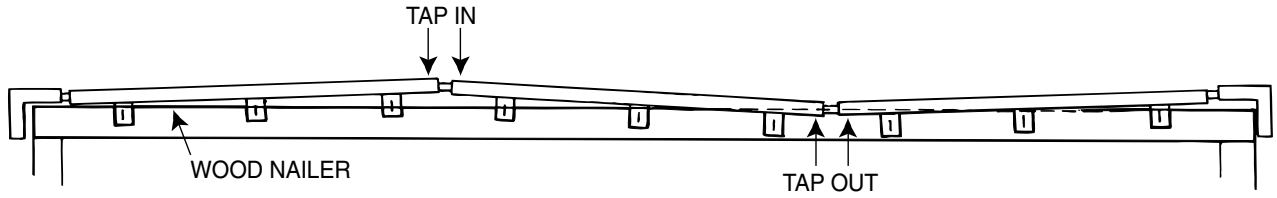
CUT FINAL SECTION TO MAINTAIN 1/4" JOINTS



# 5

When fascia sections have been lightly secured along complete roof edge, adjust to uniform level by raising individual clamping rings. Reset deck brackets to desired level, and firmly seat clamping

rings. Align fascia sections by tapping in or out. When evenly aligned, firmly secure deck brackets with two additional screws per bracket.



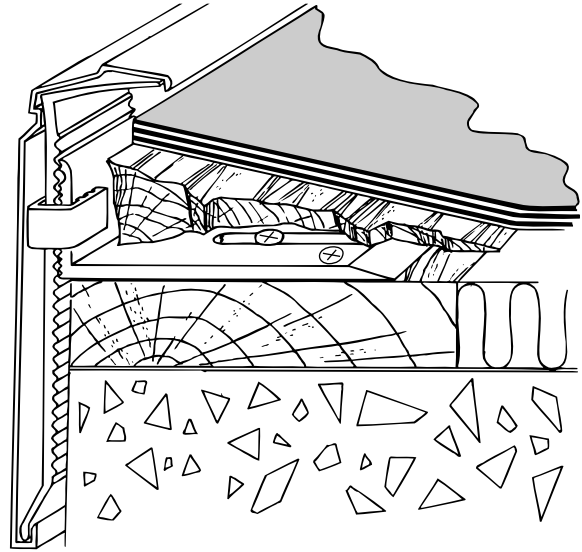
# 6

Install roofing membrane as specified.

Secure wood cant strip to blocking as required by Factory Mutual. Mechanically attach cant with fasteners installed in two rows staggered. Fasteners must be within 12" (300 mm) of each side of each deck bracket. Space between cant and blocking is intended to provide perimeter venting of the insulation.

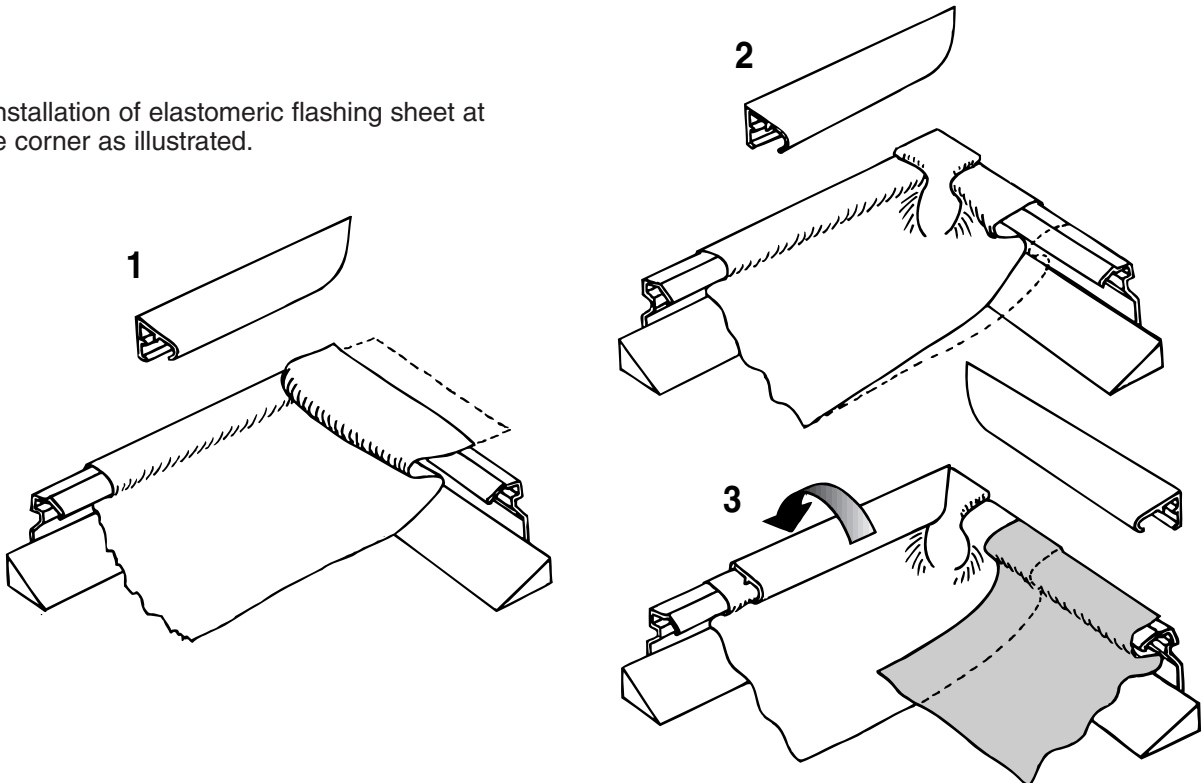
Solidly adhere roofing felts to canted surface. Cut plies along upper edge of cants.

When roof system will be installed prior to installation of Tremline® fascia, envelope roofing plies at roof edge.



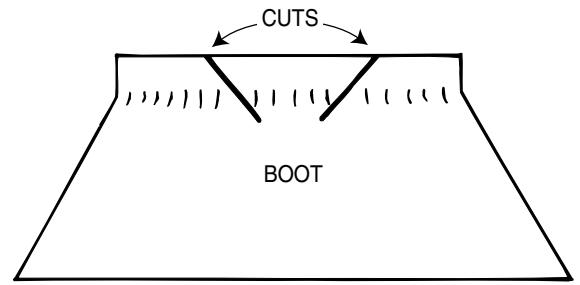
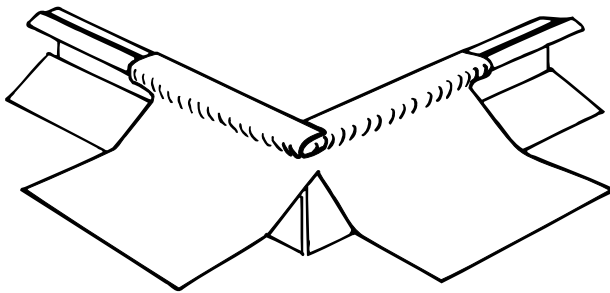
# 7

Start installation of elastomeric flashing sheet at outside corner as illustrated.



# 8

Form corners as illustrated.



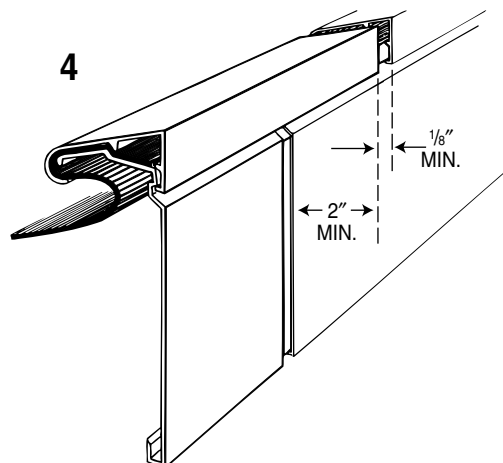
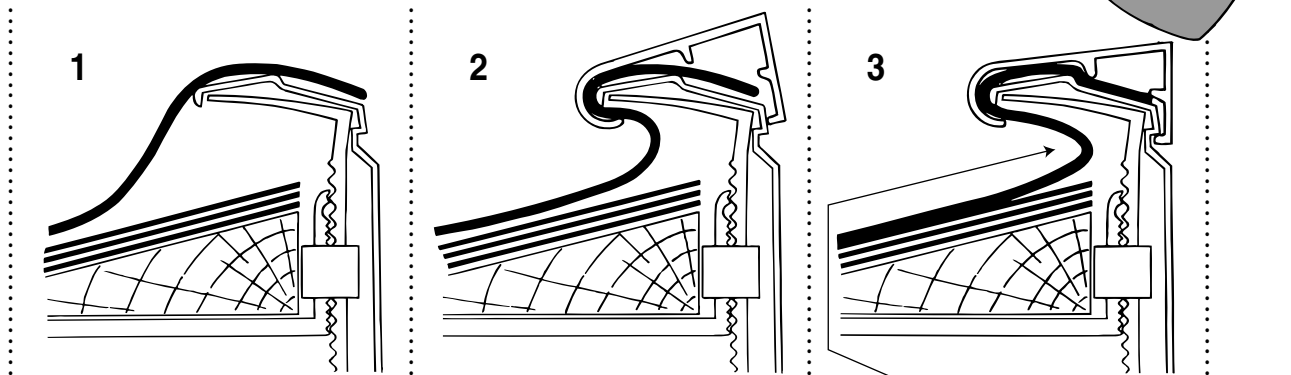
# 9

Proceed with installation by:

1. Aligning edge of flashing sheet with outer edge of fascia.
2. Snap on 5' top caps.
3. Tap with rubber mallet to ensure positive seating.
4. Maintain 1/8" spacing between all top caps.

No joint between top caps should be within 2" of any fascia joint.

**INSTALL ONLY AS MANY FLASHING SHEETS AS CAN BE SEALED TO ROOF MEMBRANE THAT DAY.**



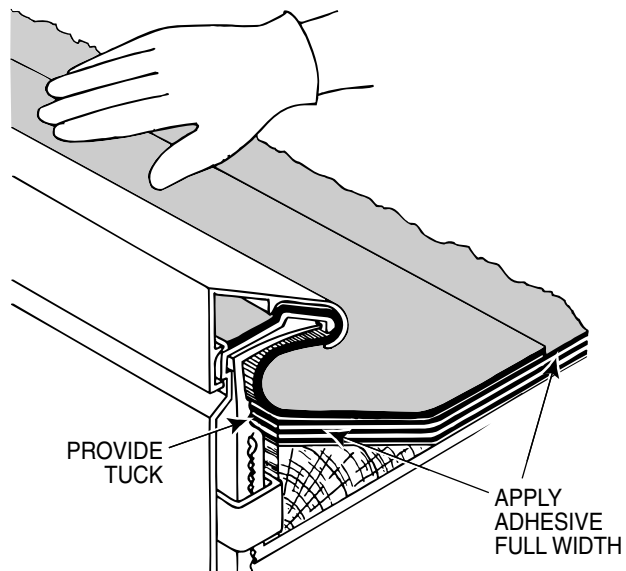
**Note:** 2" of elastomeric sheeting must be tucked in the space under the fascia top to allow for movement under the flashing system.

# 10

Adhering flashing sheet:

Fully adhere elastomeric sheeting to canted surface in specified adhesive.

Tuck elastomeric flashing under fascia cap and firmly press into adhesive, using a steel roller to ensure 100% contact.



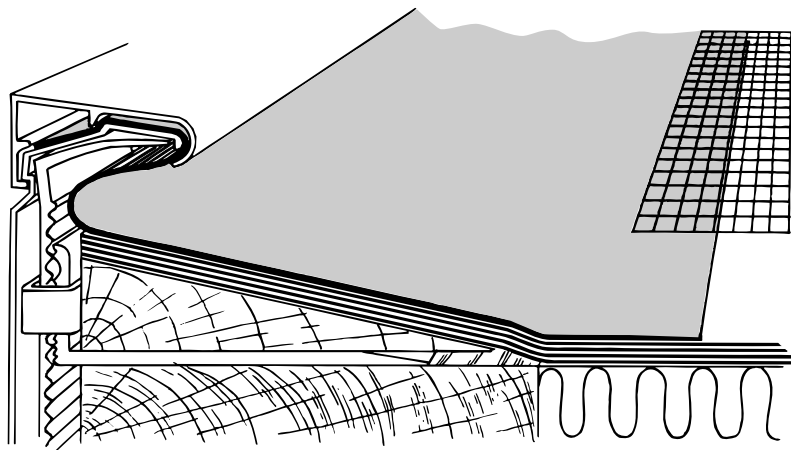
# 11

Stripping-in flashing sheet to roof membrane:

**Tremco Built-Up or Modified Bitumen Systems** — Strip in lower edge of elastomeric flashing sheet at base of flashing with stripping ply, such as BURmesh® or the field membrane ply. Adhere and cover stripping ply as specified.

**Single Ply Systems** — Splice flashing to membrane as specified.

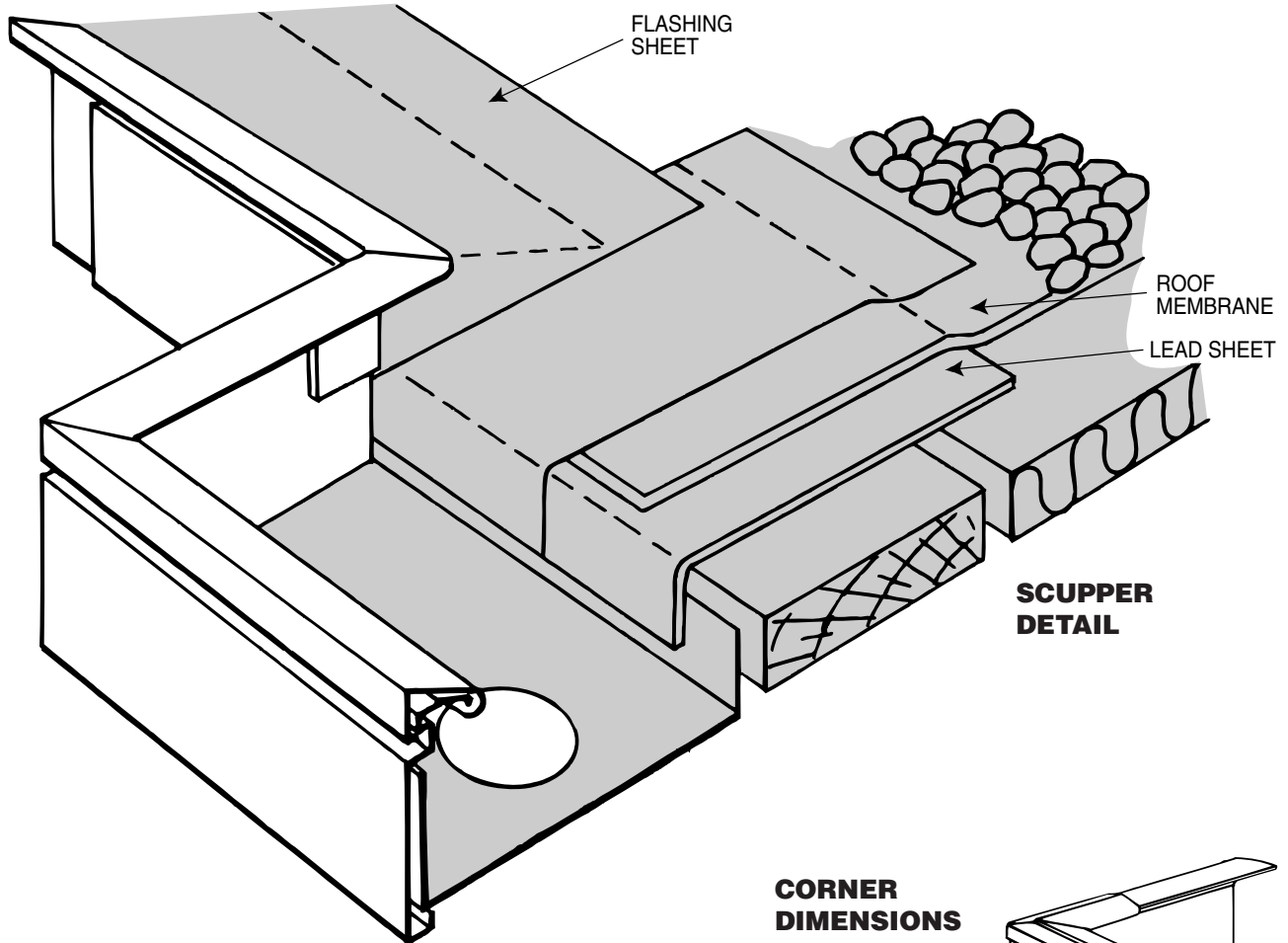
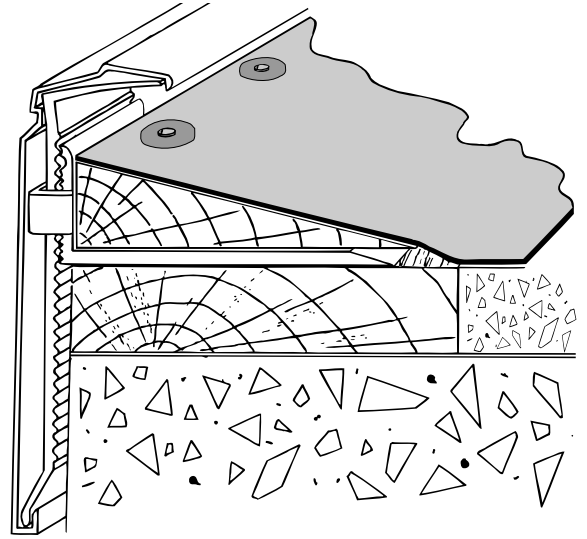
Apply final surfacing to roof membrane as specified.



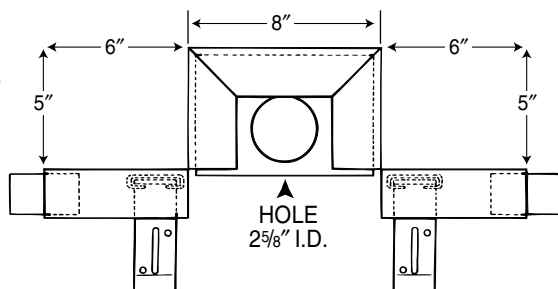
# 12

## Lightweight Concrete Vented Base Sheet Attachment

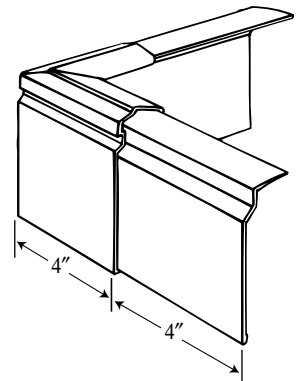
- Install Tremline® fascia prior to roof membrane.
- Install venting base sheet to lightweight concrete as specified (see FM Loss Prevention Data 1-28 and 1-29).
- Terminate venting base sheet at top of cant. Mechanically attach into wood cant at 8" (200 mm) o.c. using 1" spiral shank nails with a minimum 3/4" (18 mm) disc cap.
- Install roof membrane and flashing sheet as specified. Do not seal venting base sheet at perimeter edge.



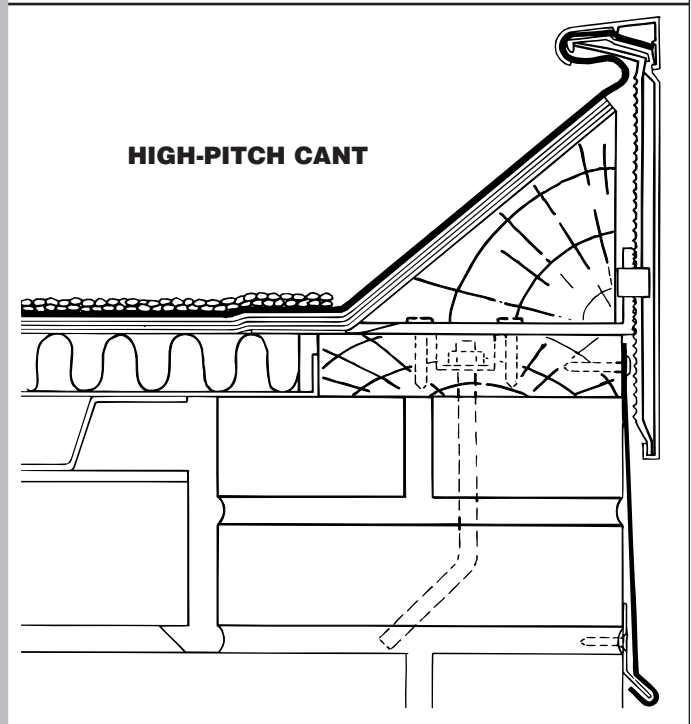
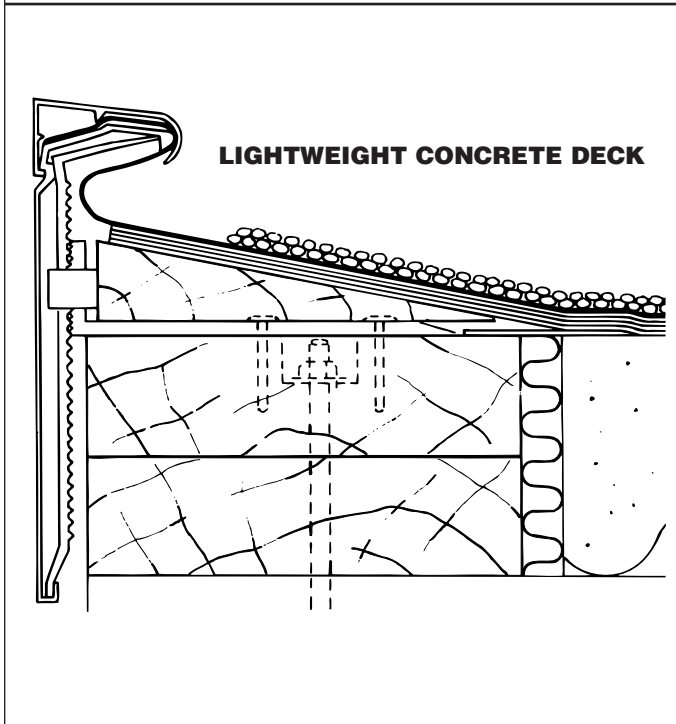
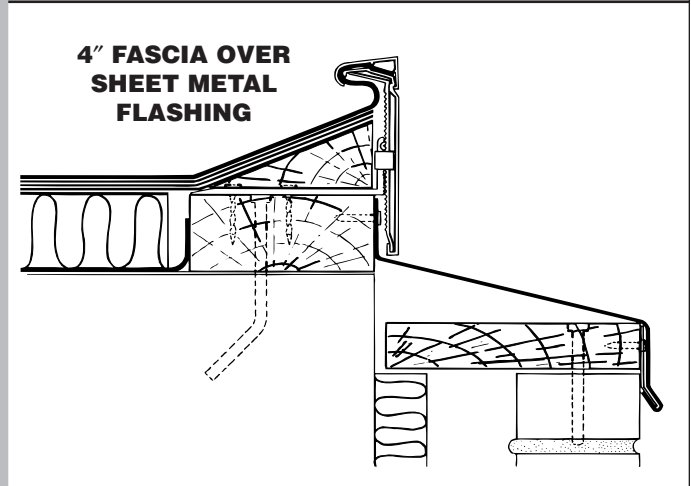
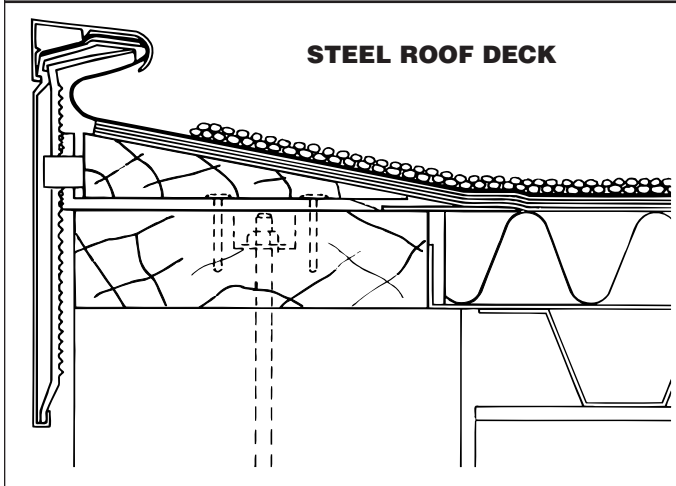
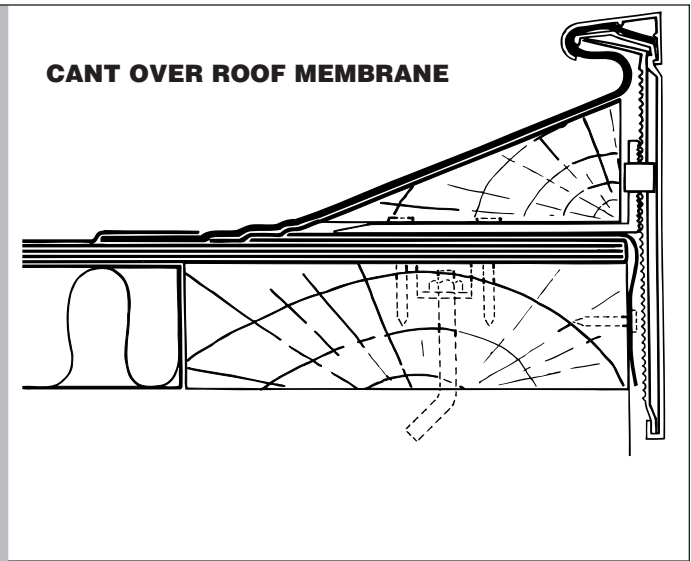
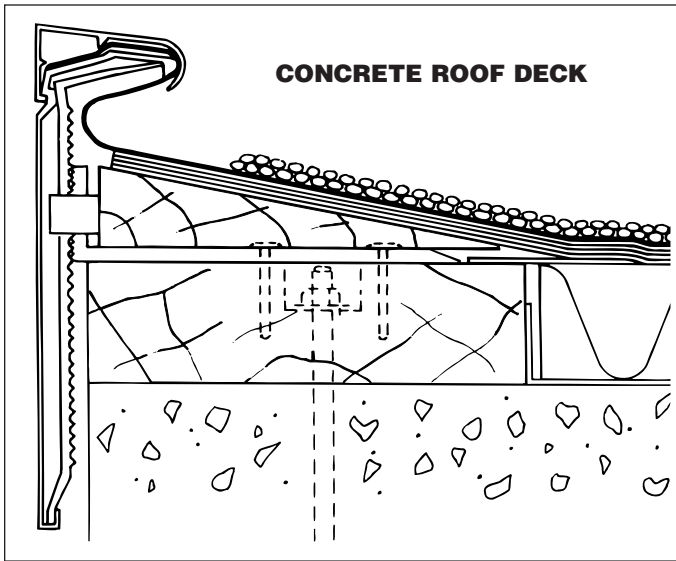
### SCUPPER DIMENSIONS



### CORNER DIMENSIONS



# TYPICAL TREMLINE FASCIA DETAILS *(Not to Scale)*



**TREMCO**

An RPM Company

3735 Green Road  
Beachwood, OH 44122  
216-292-5000

220 Wicksteed Avenue  
Toronto, ONT M4H 1G7  
416-421-3300