

Tremline Fascia & Extenders

A Unique Free-Floating Fascia System that Accommodates Movement

COMPOSITION AND MATERIALS:

Tremline Fascia combines a heavy aluminum extrusion with reinforced elastomeric flashing membrane to form a flexible, free-floating fascia system capable of accommodating dynamic perimeter roof movement. Tremco adhesives form an integral part of this flashing system.

Tremline Fascia Extenders are an optional addition to the Tremline Fascia. Tremline Extenders are constructed from the same extruded aluminum as the fascia sections. Tremline Extenders protect exposed roof edge areas which may be exposed under the standard Tremline Fascia.

BASIC USES: Tremline Fascia system is designed to accept differential movement at roof edges. The components are free to move independently, withstanding thermal shock while maintaining a watertight seal.

Elastomeric flashing membrane is locked into the extruded aluminum fascia by an integral top cap. The entire system works as an expansion joint, absorbing movement between roof components and edging. It may also be installed in a manner that will facilitate perimeter venting.

Tremline Extenders provide a decorative and protective barrier for wall sections directly below the Tremline Fascia. Tremline Extenders work with the Tremline Fascia as a system, but these components move independently from each other.

Product Advantages	
Features	Benefits
Extruded aluminum components	<ul style="list-style-type: none"> • High strength. • Long lasting performance. • Clean, neat appearance. • Optional color anodizing available. • Preshaped components snap together, reducing labor costs.
Reinforced elastomeric sheeting	<ul style="list-style-type: none"> • Resists puncture. • Easily molds to roof contours. • Remains flexible at 40°F.
Free-floating assembly	<ul style="list-style-type: none"> • Independent components accommodate dynamic perimeter movement.
No exposed fasteners	<ul style="list-style-type: none"> • Reduced leak sources.

PACKAGING: Available in 50' (15.2m) kits (includes fasteners) in either 6" (152mm) or 8" (203mm) fascia widths. Prefabricated corners, end caps, scuppers, and additional components available in single units. Hypalon Elastomeric Sheeting available in 11-1/2, 19, 25, and 38" (292, 483, 635 and 965mm) widths by 50' (15.2m) lengths.

Optional Tremline Extenders are also available in 50' (15.2m) kits, in 8" (203mm) widths. Prefabricated Corners and End Caps are available.

STANDARDS: Tremline Fascia & Extenders have been tested and certified in accordance with ANSI/SPRI ES-1-2003, Wind Design Standard for Edge Systems Used with Low Slope Roofing Systems.

FINISH/COLOR:

Metal: Mill finish. Anodizing or high performance fluorocarbon coatings available at additional cost.
Hypalon Elastomeric Sheeting: Black/white.

APPLICATION:

METAL INSTALLATION: Assemble fascia holder, deck brackets, and clamping rings to form deck bracket units. Assemble fascia sections, deck bracket units, and joint plate (leading end only) to form each 10' (3.05m) fascia section. Three deck brackets required on 6" fascia section. Four deck brackets required on each 8" fascia section.

When installing optional Extenders, use an extender as a template to mark the position and chalk a line for the location of the Extender Clips. Attach Extender clips every 30" (762mm) in a position which is offset from the deck brackets. Attach Fascia Extender to clips and secure the top of the Fascia Extender to the wall.

To install Tremline Fascia, begin at corners. Snap prefabricated corner with joint plates onto first fascia section. Provide 1/4" (6.3mm) expansion gap between sections. Position assembled fascia and corner unit onto matching roof corner and loosely secure deck brackets with one fastener in center slot. Install remaining fascia sections. Do not install fascia sections less than 24" (610mm) in length. Work from corners to center. Visually align. Secure deck brackets to wood nailer with two additional fasteners per bracket.

Install new wood cant strip over deck brackets. Apply roofing membrane to top edge of cant.

ELASTOMERIC SHEETING INSTALLATION:

General: Starting at corner, install Elastomeric flashing membrane. Fabricate seams (4" [101mm] minimum

TREMCO

Roofing & Weatherproofing Peace of Mind™

width) Align flashing membrane along outer edge of fascia and snap on top caps. Provide 1/8" (3mm) space between sections. Stagger top cap and fascia joints 2" (50mm) minimum.

FLASHING SHEET TO BITUMINOUS ROOFING:

Cold Adhesive: Apply Tremply Sheeting Bond adhesive from top of cant onto horizontal roof membrane. Extend adhesive slightly beyond area to be covered by Elastomeric Sheeting. Allow Sheeting Bond to flash. Tuck Elastomeric Sheeting under fascia section and firmly press into Sheeting Bond. Remove wrinkles/entrapped air. Strip over lower edge of Elastomeric Sheeting in Sheeting Bond. Embed reinforcing membrane. Top dress with specified mastic.

ADDITIONAL INFORMATION: Refer to written project specifications and/or Tremline Fascia Installation Procedures and Tremline Extenders Installation Instructions.

PRECAUTIONS: Users must read container labels and Material Safety Data Sheets for health and safety precautions prior to use.

AVAILABILITY AND COST: Contact your local Tremco Representative for pricing and availability. For name and number of your representative, call 216/292-5000 - Roofing Division.

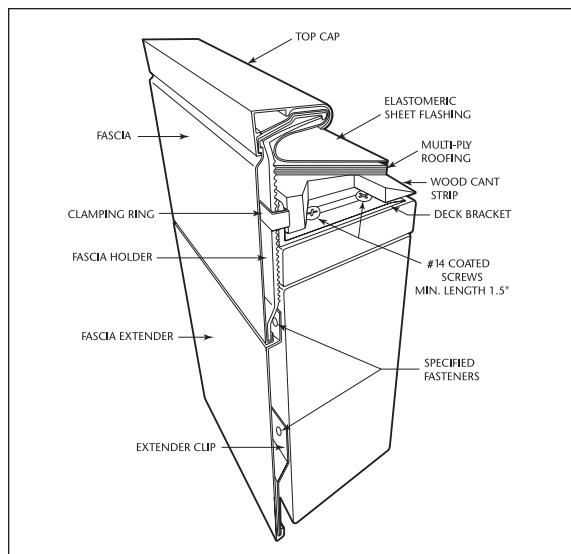
MAINTENANCE: Your Tremco Representative can provide effective maintenance procedures which may vary, depending upon specific conditions. Periodic inspections, early repairs, and preventative maintenance are all sound procedures.

GUARANTEE/WARRANTY: Tremco, Inc. warrants Tremline Fascia and Extenders to be free of defects and to meet published physical properties when cured and tested according to ASTM and Tremco standards. Under this warranty, we will provide at no charge, Tremline Fascia and Extenders in standard packaging to replace any Tremline Fascia proven to be defective when applied according to our written instructions, and in applications recommended by us as suitable for Tremline Fascia and Extenders. THIS IS BUYER'S SOLE AND EXCLUSIVE REMEDY.

All claims concerning product defects must be made in writing within twelve (12) months of shipment. The absence of such claims in writing during this period will constitute a waiver of all claims with respect to such product.

This warranty shall be IN LIEU of any other warranty, express or implied, including but not limited to, any implied warranty of MERCHANTABILITY OR FITNESS FOR A PARTICULAR PURPOSE.

TECHNICAL SERVICES: Your local Tremco Representative, working with the Technical Service Staff, can help analyze conditions and needs to develop recommendations for special applications. The services of the Tremco Research Center, which has earned a unique reputation in weatherproofing technology, complement and extend the services of the Tremco Technical Service Staff.



STATEMENT OF POLICY AND RESPONSIBILITY:

Tremco takes responsibility for furnishing quality materials and for providing specifications and recommendations for their proper installation.

As neither Tremco itself nor its Representatives practice architecture or engineering, Tremco offers no opinion on, and expressly disclaims any responsibility for the soundness of any structure on which its products may be applied. If questions arise as to the soundness of a structure or its ability to support a planned installation properly, the Owner should obtain opinions of competent structural engineers before proceeding. Tremco accepts no liability for any structural failure or for resultant damages, and no Tremco Representative is authorized to vary this disclaimer.



3735 Green Road
Beachwood, OH 44122
216-292-5000

220 Wicksteed Ave
Toronto, ONT M4H 1G7
416-421-3300

R-773002
Printed in USA

Rev. 5/15