

Coping Solutions for Parapet Walls

FEATURES

- Pre-manufactured roof edge provides superior protection against wind, water and harsh weather.
- Engineered and designed for long-term performance.
- Quality materials consistently manufactured to tight tolerances.

BENEFITS

- Meets building code for wind uplift, coast-to-coast.
- Rigorously tested to meet ANSI/SPRI and FM 1-49 Standards.
- Easy and fast installation.
- Provides a secure edge that protects the whole roof system from failure.

OVERVIEW

Coping products are engineered to address the challenges presented by parapet walls and protect roof assemblies from wind uplift forces. Our coping systems are designed with dynamic elements – unique spring clips and splice plates – that pair together to create a highly engaged system. The system is completed with a snap on coping cap that meets the aesthetic building design and integrates all the components to achieve superior, long-term protection.

APPLICATIONS

Every parapet wall has unique conditions. Pre-manufactured coping is the most effective solution for parapet walls to meet code for wind uplift and be equipped to serve as the first line of defense against harsh weather. TremLock coping assemblies are built to your specific architectural drawings and accommodate for unique building conditions. Whether you have short or tall wall heights or wall widths from 3-1/2" to 32" or any variation in between, the coping will be manufactured to those exact specifications. While our standard coping portfolio is extensive and covers a wide variety of parapet wall installations, we also take pride in helping customers solve custom coping needs as they arise.

SYSTEM DESIGN

TremLock coping systems are designed for ease of installation and pre-manufactured in 12'-0" lengths saving time, labor and energy. Depending upon the coping system chosen, it will include our industry-leading anchor clip system or continuous cleat engagement system for long-term securement and performance. Most copings come standard with pre-punched holes, fasteners, splice plates and non-curing double-sided butyl tape to create a highly effective installed system built for long-term water control. TremLock coping slotted fastening holes and splice plate design prevent migration of the coping from thermal movement. The coping systems are finished with high performance Kynar paints, reinforced to withstand the elements.

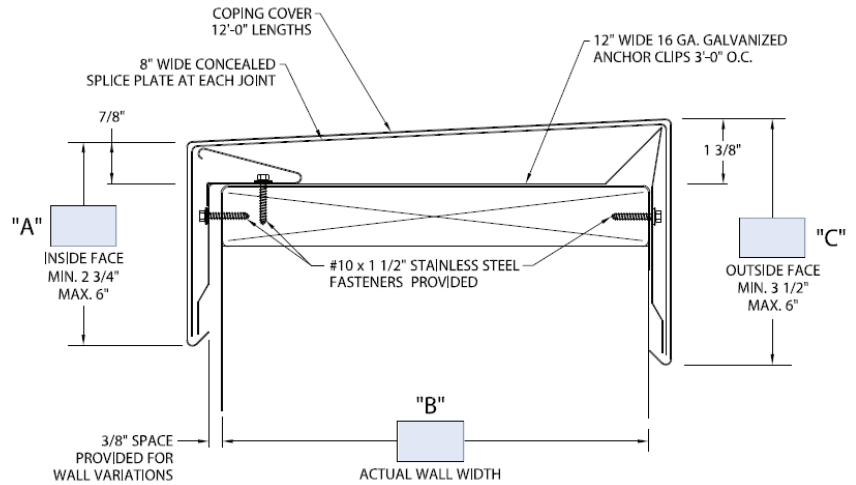
FINISH/COLORS

TremLock Edge Metal Systems offers (10) Express Ship Colors, (16) Standard Colors, (4) Premium Colors, and (5) 24 Ga Galvalume Only Colors. A 30-year Kynar 500® finish warranty is included on coil-coated standard colors. Custom post-coated Kynar 500 colors are available with a 10-year Kynar 500 finish warranty or a 20-year Kynar 500 finish warranty is also available upon request.

TremLock® Edge Metal Systems

TREMLOCK INFINITY GOLD COPING

Tremlock Infinity Gold Coping is a leading parapet wall solution, offering the highest FM ratings in the country and exceptional wind uplift protection. Engineered with a unique spring anchor clip in 16-gauge galvanized steel, TremLock Infinity Gold Coping creates an actively engaged system of securement to the wall. As wind and rain try to undermine integrity at the edge, Tremlock Infinity Gold Coping's dynamic anchor clip system actually increases its resilience as it takes on severe weather, keeping the system strong and intact. Its flush face design enhances engagement to the wall, contributing to its high FM ratings. The combination of our 8" wide splice plates and pre-punched slotted fastening holes work together to prevent migration when thermal expansion and contraction occurs. TremLock Infinity Gold Coping can accommodate a wide range of wall widths up to 32". Contact your Tremco representative for any custom wall solution needs.



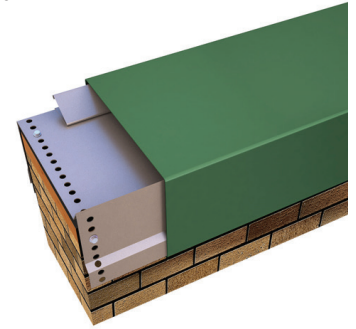
TREMLOCK INFINITY GOLD COPING TAPERED DETAIL

Versions:

- Tapered
- Over 6" to 12" Face Height, Tapered
- Larger than 6" Wall Size, Over 6" to 12" Face Height Tapered
- Larger than 16" Wall Size Tapered

Materials Offered:

- 24-gauge & 22-gauge steel
- .040" aluminum
- .050" aluminum
- .063" aluminum



Inside Face	Wall Width	Outside Face	Material	Perimeter FM Rating	Corner FM Rating	ES-1 Rating
4	10	6	.050, .063	1-300	1-195	513
4	12	6	.050, .063	1-240	1-150	403
4	16	6 or 12	.050, .063	1-150	1-90	261
4	24	6	.050, .063	1-135	1-90	236
4	24	12	.050, .063	1-105	1-75	191
4	32	6	.050, .063	1-90	1-60	171
4	10	6	24ga, 22ga, .040	1-225	1-150	383
4	12	6	24ga, 22ga, .040	1-195	1-135	343
4	16	6 or 12	24ga, 22ga, .040	1-135	1-90	232
4	24	6	24ga, 22ga, .040	1-120	1-75	211
4	24	12	24ga, 22ga, .040	1-90	1-60	171

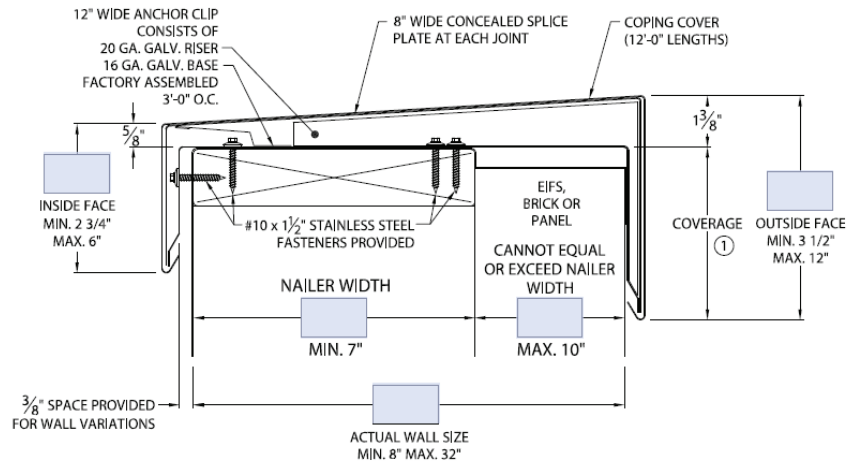
TremLock® Edge Metal Systems

TREMLOCK TRAVERSE COPING

When choosing a coping that needs to account for wall conditions containing EIFS, brick or panels, TremLock Traverse Coping is the perfect choice. Its patented design delivers the highest FM rated solution for panel, EIFS or brick integration with a coping.

Our Traverse Coping contains a unique anchor clip system consisting of a 20-gauge galvanized steel riser with a 16-gauge galvanized base. This Traverse Coping is also engineered with a special fastening pattern that sits back further on the assembly to ensure proper anchorage to viable substrate.

Whether your wall has EIFS, brick or panels on one side or both sides, our coping portfolio has options that will meet your design needs and adhere to the building code. TremLock Traverse Coping is built for unmatched performance and lasting securement in EIFS, brick and panel applications.



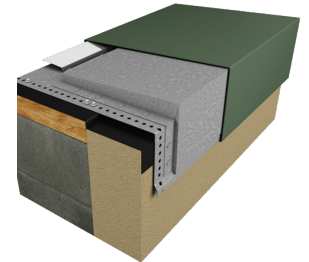
TREMLOCK TRAVERSE COPING SINGLE SIDE DETAIL

Versions:

- Single Side up to 6" Face
- Single Side up to 12" Face
- Double Side outside face up to 12" Face

Materials Offered:

- 24-gauge & 22-gauge steel
- .040" aluminum
- .050" aluminum
- .063" aluminum



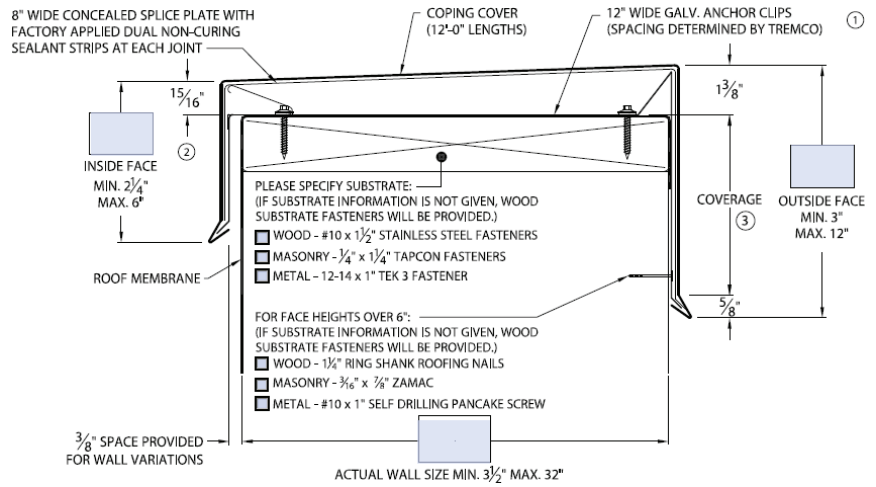
Inside Face	Wall Width	Outside Face	Material	Perimeter FM Rating	Corner FM Rating	ES-1 Rating
4	16	6	.050, .063	1-120	1-75	221
4	24	10	.050, .063	1-90	1-60	161
4	16	6	24ga, 22ga, .040	1-120	1-75	221
4	24	10	24ga, 22ga, .040	1-90	NA	151

TremLock® Edge Metal Systems

TREMLOCK INFINITY COPING

TremLock Infinity Coping is our most versatile coping solution covering the widest spectrum of wall conditions -- from tapered, flat and existing slope on a variety of substrates to wide wall widths up to 32" and tall face heights up to 12" with many varying combinations in between.

TremLock Infinity Coping utilizes our dynamic anchoring system featuring 12" wide anchor clips in 20-gauge galvanized steel. The coping has a top fastening pattern for long-term securement and a drip edge to prevent building discoloration from water. Every Infinity Coping comes standard with our 8" wide splice plates designed to accommodate thermal expansion and contraction. The TremLock Infinity Coping System excels in performance against wind uplift and water penetration.



TREMLOCK INFINITY COPING TAPERED DETAIL

Versions:

Existing Slope Wide wall widths and tall face heights available

Tapered

Flat

Materials Offered:

24-gauge & 22-gauge steel

.040" aluminum

.050" aluminum

.063" aluminum

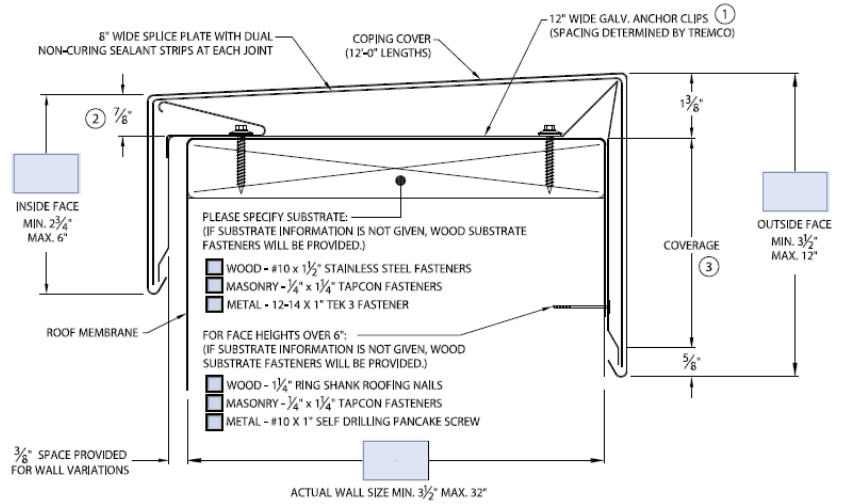


Inside Face	Wall Width	Outside Face	Material	Perimeter FM Rating	Corner FM Rating	ES-1 Rating
4	10	6	.050, .063	1-240	1-150	403
4	12	6	.050, .063	1-225	1-150	393
4	16	6	.050, .063	1-150	1-105	272
4	16	12	.050, .063	1-120	1-75	202
4	24	6	.050, .063	1-105	1-60	186
4	24	12	.050, .063	1-105	1-75	191
4	32	6	.050, .063	1-90	1-60	152
4	10	6	24ga, 22ga, .040	1-210	1-135	363
4	12	6	24ga, 22ga, .040	1-150	1-90	263
4	16	6	24ga, 22ga, .040	1-135	1-90	231
4	16	12	24ga, 22ga, .040	1-75	NA	147
4	24	6	24ga, 22ga, .040	1-75	NA	131

TremLock® Edge Metal Systems

TREMLOCK INFINITY FLUSH FACE COPING

TremLock Infinity Flush Face Coping is designed for maximum wind uplift protection and has proven to be strong against severe weather events. Its flush face design and dynamic spring anchor clip system in 20-gauge steel deliver a high-performance pairing. Our pre-punched slotted fastening holes and 8" wide splice plates with dual non-curing sealant strips at each joint accommodate for thermal movement. TremLock Infinity Flush Face Coping achieved impressive FM ratings when tested at the perimeter and corners, a natural weak spot on the roof. Offered in wall widths up to 32" wide, Infinity Flush Face Coping is a great fit for parapet walls that require long-term high wind protection that easily meets building code.



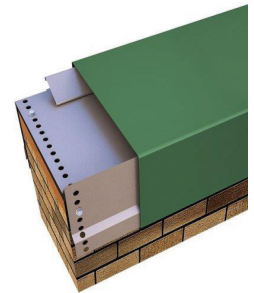
TREMLOCK INFINITY FLUSH FACE COPING DETAIL

Versions:

Tapered
Flat
Existing Slope

Materials Offered:

24-gauge & 22-gauge steel
.040" aluminum
.050" aluminum
.063" aluminum

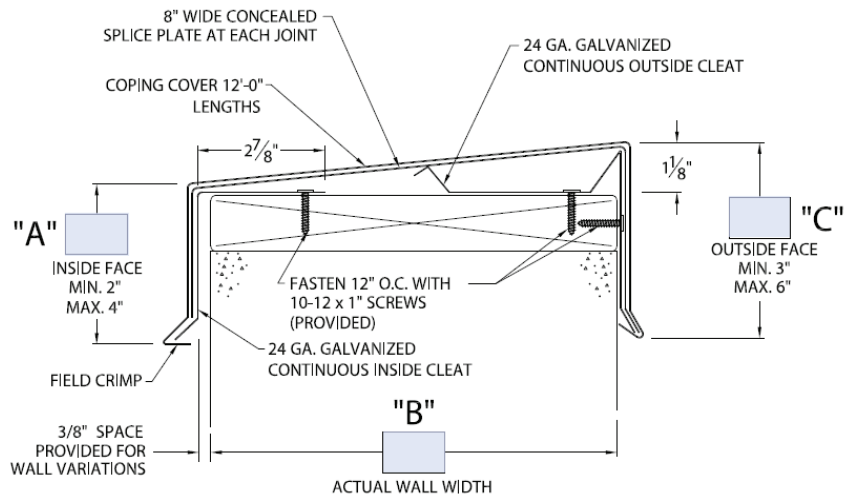


Inside Face	Wall Width	Outside Face	Material	Perimeter FM Rating	Corner FM Rating	ES-1 Rating
4	10	6	.050, .063	1-300	1-195	513
4	12	6	.050, .063	1-240	1-150	403
4	16	6	.050, .063	1-150	1-90	261
4	16	12	.050, .063	1-150	1-90	261
4	24	6	.050, .063	1-135	1-90	236
4	24	12	.050, .063	1-105	1-75	191
4	32	6	.050, .063	1-90	1-60	171
4	10	6	24ga, 22ga, .040	1-225	1-150	383
4	12	6	24ga, 22ga, .040	1-195	1-135	343
4	16	6	24ga, 22ga, .040	1-135	1-90	232
4	16	12	24ga, 22ga, .040	1-135	1-90	232
4	24	6	24ga, 22ga, .040	1-120	1-75	211
4	24	12	24ga, 22ga, .040	1-90	1-60	171

TremLock® Edge Metal Systems

TREMLOCK INFINITY CLEAT COPING

Continuous cleat coping provides remarkable strength and durability, maintaining its long running popularity among architects and consultants. TremLock Infinity Cleat Coping delivers on its promise of high-performance, providing continuous exterior perimeter engagement through its well-engineered design. The 24 gauge continuous cleat offers extra stability and longevity to the roof edge system along with excellent FM perimeter and corner ratings. TremLock Infinity Cleat Coping has a built-in drip edge and comes standard with 8" wide splice plates. The complete Infinity Cleat Coping system aligns for greater wind protection, water prevention and accommodates for thermal movement.



TREMLOCK INFINITY CLEAT COPING DETAIL

Versions:

Tapered

Materials Offered:

- 24-gauge & 22-gauge steel
- .050" aluminum
- .063" aluminum



Inside Face	Wall Width	Outside Face	Material	Perimeter FM Rating	Corner FM Rating	ES-1 Rating
4	16	6	.050, .063	1-240	1-165	422
4	16	12	.050, .063	1-225	1-90	402
4	24	6	.050, .063	1-135	1-150	226
4	24	12	.050, .063	1-135	1-90	241
4	32	6	.050, .063	1-105	1-60	182
4	16	6	24ga, 22ga, .040	1-180	1-120	312
4	16	12	24ga, 22ga, .040	1-150	1-90	272
4	24	6	24ga, 22ga, .040	1-90	1-60	166
4	24	12	24ga, 22ga, .040	1-90	1-60	171

www.tremcoroofing.com
 3735 Green Road
 Beachwood, Ohio 44122
 800.852.6013

50 Beth Neelson Drive
 Toronto, Ontario M4H 1M6
 800.668.9879

3/12/19
 7304

© Tremco, 2018. All Rights Reserved. TremLock is a U.S. registered trademark of Tremco, Incorporated. The information provided on this data sheet is effective as of July 2018 and supersedes all previous data concerning this product and its application. The statements provided concerning the materials shown are intended solely as a general guide for material usage and are believed to be true and accurate. Since the manner of use is beyond our control, Tremco DOES NOT MAKE NOR DOES IT AUTHORIZE ANY WARRANTY OF MERCHANTABILITY OR FITNESS FOR ANY PURPOSE, OR ANY OTHER WARRANTY, GUARANTEE OR REPRESENTATION, EXPRESSED OR IMPLIED, CONCERNING THIS MATERIAL EXCEPT THAT IT CONFORMS TO TREMCO'S PRODUCT SAMPLE. Buyer and user accept the product under those conditions and assume the risk of any failure, injury to person or property and loss or liability resulting from the handling, storage or use of the product, whether or not it is handled, stored, used in accordance with directions or specifications. UNDER NO CIRCUMSTANCES SHALL TREMCO BE LIABLE FOR CONSEQUENTIAL OR INCIDENTAL DAMAGES ARISING FROM ANY BREACH OF WARRANTY. IN ALL CASES, TREMCO'S LIABILITY IS LIMITED, AT TREMCO'S OPTION, TO THE REPLACEMENT OF GOODS, OR THEIR VALUE, PROVEN TO BE DEFECTIVE IN MANUFACTURING.

